

GAILE

FUEL
SYSTEMS

RACELL FUEL CELLS



Racell Fuel Cells

The Racell fuel cells from ATL are compact and have a relatively small capacity making them ideal for sprints / hillclimbs, short circuit racing, etc. Supplied with baffle foam fitted and a flush fit filler cap. There are 2 inlets and 1 return in -8 JIC and a -6 JIC rollover vent valve.

Code	Capacity	Height	Width	Length
SA-AA-010	10 lt	381 mm	203 mm	203 mm
SA-AA-020	20 lt	457 mm	254 mm	254 mm
SA-AA-230	15 lt	435 mm	230 mm	208 mm



Saver Cells

The ATL Saver fuel cell range is manufactured from a unique ATL565 material. Each one is supplied fully foam baffled to help reduce fuel slosh and suppress explosions. All 6" x 10" top plate includes the following fittings:
 1 x -6 JIC fuel pickups
 1 x -6 JIC fuel return
 1 x -6 JIC rollover vent valve
 1 x 2 1/4" Diameter filler neck with safety valve and cap.
 The 20 Litre version part number SA-AA-030 fitted with a 4" x 6" top plate has:
 1 x -6 JIC fuel pick up and filter
 1 x -6 JIC rollover vent
 1 x 2 1/4" Diameter filler neck with
 FIA FT3-1999 approved.
 IMPORTANT: if the tank is mounted inside the cockpit, it must be fitted with a container (can be purchased separately)

Code	Capacity	Dimensions (L x W x H)	Top plate	Note	Alloy Container (optional)
SA-AA-030	20 lt	329 x 329 x 225 mm	yes	plate 4x6" (without fuel return)	SA-AA-031
SA-AA-034	20 lt	329 x 329 x 225 mm	no	hole for plate 4x6" (without fuel return)	SA-AA-031
SA-AA-240	20 lt	329 x 329 x 225 mm	yes	plate 6x10"	SA-AA-241
SA-AA-244	20 lt	329 x 329 x 225 mm	no	hole for plate 6x10"	SA-AA-241
SA-AA-040	30 lt	505 x 305 x 224 mm	yes	plate 6x10"	SA-AA-041
SA-AA-044	30 lt	505 x 305 x 224 mm	no	hole for plate 6x10"	SA-AA-041
SA-AA-050	40 lt	602 x 312 x 254 mm	yes	plate 6x10"	SA-AA-051
SA-AA-054	40 lt	602 x 312 x 254 mm	no	hole for plate 6x10"	SA-AA-051
SA-AA-060	45 lt	502 x 437 x 234 mm	yes	plate 6x10"	SA-AA-061
SA-AA-064	45 lt	502 x 437 x 234 mm	no	hole for plate 6x10"	SA-AA-061
SA-AA-070	60 lt	602 x 437 x 234 mm	yes	plate 6x10"	SA-AA-071
SA-AA-074	60 lt	602 x 437 x 234 mm	no	hole for plate 6x10"	SA-AA-071
SA-AA-080	80 lt	640 x 640 x 210 mm	yes	plate 6x10"	SA-AA-081
SA-AA-084	80 lt	640 x 640 x 210 mm	no	hole for plate 6x10"	SA-AA-081
SA-AA-090	80 lt	620 x 415 x 338 mm	yes	plate 6x10"	SA-AA-091
SA-AA-094	80 lt	620 x 415 x 338 mm	no	hole for plate 6x10"	SA-AA-091
SA-AA-100	80 lt	843 x 435 x 235 mm	yes	plate 6x10"	SA-AA-101
SA-AA-104	80 lt	843 x 435 x 235 mm	no	hole for plate 6x10"	SA-AA-101
SA-AA-110	100 lt	740 x 425 x 350 mm	yes	plate 6x10"	SA-AA-111
SA-AA-114	100 lt	740 x 425 x 350 mm	no	hole for plate 6x10"	SA-AA-111
SA-AA-120	100 lt	635 x 430 x 430 mm	yes	plate 6x10"	SA-AA-121
SA-AA-124	100 lt	635 x 430 x 430 mm	no	hole for plate 6x10"	SA-AA-121
SA-AA-130	120 lt	640 x 640 x 338 mm	yes	plate 6x10"	SA-AA-131
SA-AA-134	120 lt	640 x 640 x 338 mm	no	hole for plate 6x10"	SA-AA-131
SA-AA-140	120 lt	641 x 465 x 420 mm	yes	plate 6x10"	SA-AA-141
SA-AA-144	120 lt	641 x 465 x 420 mm	no	hole for plate 6x10"	SA-AA-141
SA-AA-150	120 lt	845 x 437 x 361 mm	yes	plate 6x10"	SA-AA-151
SA-AA-154	120 lt	845 x 437 x 361 mm	no	hole for plate 6x10"	SA-AA-151
SA-AA-160	120 lt	630 x 416 x 535 mm	yes	plate 6x10"	SA-AA-161
SA-AA-164	120 lt	630 x 416 x 535 mm	no	hole for plate 6x10"	SA-AA-161
SA-AA-170	170 lt	640 x 640 x 425 mm	yes	plate 6x10"	SA-AA-171
SA-AA-174	170 lt	640 x 640 x 425 mm	no	hole for plate 6x10"	SA-AA-171



Saver "D" Cells

A range of fuel cells from ATL which are 'D' shaped, making them ideal for fitting into a spare wheel well. Manufactured from a unique ATL565 material. Each one is supplied fully foam baffled to help reduce fuel slosh and suppress explosions. All the saver cell are fitted with a 6" x 10" top plate which includes the following fittings-
 2 x -6 JIC fuel pickups with filters
 1 x -6 JIC rollover vent valve
 2 1/4" Diameter non return filler neck with integral valve.
 Cells are also available with an internal collector for use with fuel injection systems. These cells also are available with an optional rear plate with one 1 x -6 JIC outlet and 1 x -6 JIC Inlet

Code	Capacity	Diameter	Height	Internal collector	Top plate
SA-AA-180	30 lt	550 mm	160 mm	no	yes
SA-AA-182	30 lt	550 mm	160 mm	yes	yes
SA-AA-184	30 lt	550 mm	160 mm	no	no
SA-AA-190	45 lt	550 mm	205 mm	no	yes
SA-AA-192	45 lt	550 mm	205 mm	yes	yes
SA-AA-194	45 lt	550 mm	205 mm	no	no



Saver "D" Cells - 60L

Constructed from a unique, tough plastic alloy ATL565 Homologation FIA/FT3-1999
 Length x Depth x Height: 566 x 566 x 244mm (+ top plate 14 mm). Please note that all Saver Cells experience some swelling when subjected to fuel (typically 2-4% linear). Please allow up to 2 weeks for Saver Cell bladder dimensions to stabilise.
 Supplied with: (1) 6 x 10" Standard Saver Top Plate (only SA-AA-220)
 (2) -6 'Duck-Foot' fuel pick-ups (with sock filters)
 Internal Safety Foam Baffling
 Available with or without top plate.

Code	Capacity	Top plate	Depth	Length	Height
SA-AA-220	60 L	yes	566 mm	566 mm	258 mm (117+127+14)
SA-AA-224	60 L	no	566 mm	566 mm	244 mm (117+127)



Porsche 911 Fuel Cells

Constructed from a unique, tough plastic alloy ATL565 Homologation FIA/FT3-1999
 Supplied with:
 - (1) 6x10" Standard Saver Cell Top Plate
 - (2) -6 'Duck-Foot' fuel pick-ups (with sock filters)
 - (1) -6 Rollover Vent Valve
 - Internal Safety Foam Baffling
 Aluminium Container available separately

Code	Container (optional)	Depth	Top plate	Length	Capacity	Height
SA-AA-200	SA-AA-201	710 mm	Si	585 mm	100 lt	430 mm



Internal collector systems

A fabric 3.0L internal collector made from ATL's lightweight bladder material. For use in situations where an in-tank pump is not used but internal collection around a pick-up hose is still required.

Code	Description
CL-AA-023	Internal collector system
CL-AA-024	Internal collector system with 1 Ø36mm pump mount
CL-AA-026	Internal collector system with 1 mount for Bosch pump Ø 60 mm - 3 ltr
CL-AA-027	Internal collector system with 2 Ø36mm pump mounts
CL-AA-029	Bosch returnless internal collector system with HP pump and sock filter

COMPONENTS AND PUMPS



Screw Caps

Code	Description
FL-AD-068	Quarter turn red anodised screw cap



Volume Displacement Balls

Code	Capacity	Diameter
AC-AC-005	0,18 lt	70 mm
AC-AC-006	0,52 lt	100 mm
AC-AC-007	1,77 lt	150 mm
AC-AC-018	0,029 lt	38 mm



Fuel Pumps

Facet Works Red Top Fuel Pump Ideal for Swirl Pot Lift Pump
 Integrated 74 micron fuel filter, Voltage – 12V
 Earth – Negative, Pressure (P.S.I) - 6.0 to 8.0
 Flow (U.S gallons/Hour) – 40
 Thread Size – 1/4" NPT
 Operating temperature - -60 to +43 deg C
 Power Range – 200 BHP plus

Code	Max pressure	Flow	Note
FRT1	0,55 bar	204 l/h	-



Plates

6 x 10" blank plate

Code	Description
PL-BG-001	6 x 10" blank plate
PL-BG-021	Plate standard 6 X 10" - 1 VDO & 1 76,2 mm PDC inserted pattern
PL-BG-022	Plate standard 6 X 10" - 2 76,2 mm PDC inserted pattern
PL-BG-311	6 x 10" Standard Saver Cell plate



Fuel Pumps

Note: Replaces model 0580254979
 Fuel pump with flow rate range 188 to 258 l/h @ 4.3 bar
 Max pressure 6.0 bar
 inlet M14x1.5
 outlet M10x1.0 - Female adapter M12X1.50 mm supplied

Code	Max pressure	Flow	Note
0580464201	6.0 bar	188-258 l/h @ 4.3 bar	-



Hole reducer

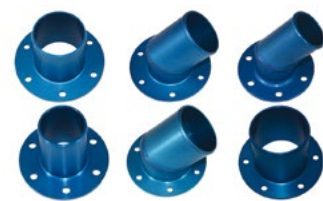
Code	Hole
PL-CB-002	Blank
PL-CB-003	-6
PL-CB-004	-8
PL-CB-005	-10
PL-CB-006	-12



Fuel Pumps

Note : Replaces the model 0580254044
 Fuel pump with flow rate range:
 219-270 l/h @ 5 bar (gasoline)
 da 186-236 l/h @ 7 bar (diesel)
 Max pressure 7,0 bar
 INPUT: M14x1.50 mm - Female adapter M18X1.50 mm is supplied
 OUTPUT: M10x1.00 mm - Non-return valve M12X1.50 mm is supplied

Code	Max pressure	Flow	Note
0580464200	7 bar	219-270 l/h @ 5.0 bar	Diesel: 186-236 l/h @ 7.0 bar



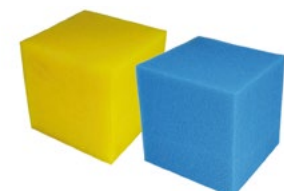
Filler Necks

Code	Ø	Type	PCD	Bolts
FL-AC-002	1.5"	Straight	60,3 mm	6
FL-AC-003	1.5"	45°	60,3 mm	6
FL-AC-004	2"	Straight	76,2 mm	6
FL-AC-005	2"	45°	76,2 mm	6
FL-AC-006	2.25"	Straight	76,2 mm	6
FL-AC-008	2.25"	45°	76,2 mm	6



Funnel for flush filler caps

Code	Description
FL-AC-506	Ø 2.25" funnel for flush filler cap - blue
FL-AC-518	Ø 2.25" funnel for flush filler cap with fireguard - black



Fuel Tank Baffle Foam

The sponge inserted in the tank avoids fuel waggle.

Code	Use
FM-AB-001	petrol (yellow - 30 x 30 x 30 cm)
FM-AB-002	diesel (blue - 30 x 30 x 30 cm)
FM-ZC-013	petrol (yellow - 20 x 15 x 10 cm)



Fuel Pumps

In-Tank Low Pressure Feeder Pump & Filter, Replaces AC 6441336 which in no longer in production.
 Fittings In (mm): 19mm
 Fittings Out (mm): 9.5 mm
 Voltage DC: 12
 Flow Ltr/Hr (Max): 162
 Max Pressure Psi: 5.5
 Length (mm): 103
 Diameter (mm): 37
 Weight (Kg): 0.125

Code	Max pressure	Flow	Note
ITP377	0,38 bar	162 l/h	-
ITP402	0,69 bar	246 l/h	-



Fuel Pumps

In-Tank Low Pressure Feeder Pump & Filter, Replaces AC 6441336 which in no longer in production.
 Fittings In (mm): 19mm
 Fittings Out (mm): JIC -6
 Voltage DC:-12
 Flow Ltr/Hr (Max): 162
 Max Pressure Psi: 5.5
 Length (mm): 103
 Diameter (mm): 37
 Weight (Kg): 0.125

Code	Max pressure	Flow	Note
ITP410	0,38 bar	162 l/h	with thread AN-6
ITP420	0,69 bar	246 l/h	with thread AN-6

PUMP ACCESSORIES



FUEL LAB
DIGITAL FUEL DELIVERY
Fuel Pressure Regulators

FUELAB 515 Series Fuel Pressure Regulators are designed with performance and flexibility in mind. They accept port style and non-port style union fittings without interference. Fuel Pressure Regulator has a -6AN return port located on the bottom. The regulator B-FL51502-1 has an operating pressure of 1.7 to 6.2 BAR (25-90 PSID) for injection applications
Need for specific accessories available in the pump accessories section.

Code	Description
B-FL51502-1	Fuelab high flow fuel pressure regulator - for injection (25-90 psi)
B-FL51506-1-S-G	Fuelab high flow fuel pressure regulator - for injection HP (90-125 psi)
B-FL51504-1	Fuelab high flow fuel pressure regulator - carbureted (4-12 psi)
B-FL71511	Fuelab high flow fuel pressure gauge 0-120 psi
B-FL71502	Fuelab high flow fuel pressure gauge 0-15 psi
B-SX15801	Fuelab INJECTION pressure regulator diaphragm
B-SX15802	Fuelab CARBURETED pressure regulator diaphragm



GIEFFE RACING
DISTRIBUTED
Pumps Accessories

Code	Description
6045-40	Facet pump -6 connecting kit



GIEFFE RACING
DISTRIBUTED
Pumps Accessories

Code	Description
6045-41	Facet pump Push-Fit 8 mm connecting kit



ATL
ADD THE LABORATORIES LTD
Fuel Level Gauges

Code	Description
EL-AD-068	Fuel level dashboard gauge



ATL
ADD THE LABORATORIES LTD
Fuel Level Gauges

Read the technical specifications and instructions for calibration of the probe Stack fuel gauge. Read the ofATL fuel level gauge kit.

Code	Description
EL-AD-151	Fuel level gauge kit



GIEFFE RACING
DISTRIBUTED
Pumps Accessories

Code	Description
HEM8-4-5	Male fitting for Facet pump for 5/16 hose (8 mm)
HEM8-4-6	Male fitting for Facet pump for 3/8 hose (10 mm)
HEM98-4-5	90° Male fitting for Facet pump for 5/16 hose (8 mm)
HEM98-4-6	90° Male fitting for Facet pump for 3/8 hose (10 mm)



ATL
ADD THE LABORATORIES LTD
Pumps Accessories

A 2 pin clubman quick-disconnect connector assembly with a 1 metre long loom

Code	Description
EL-AA-001	2 PIN Clubman electrical connector set

AUTOMOTIVE FILTERS

GIEFFE RACING
DISTRIBUTED
Pick-upfilters

These pick-up filters are made from stainless steel and provide 60µm filtration. With a M14 (FT-AB-022) or M18 (FT-AB-023) male fitting to suit in-tank Bosch pump fitment. The filter can be cleaned by flushing.



Code	Type	Use	Filter	Thread	Note
6064-61	Pre-pump filter	For Bosch pump	65 micron	M18 x 1,50	-

GOODRIDGE
FLUID TRANSFER SYSTEMS
In Line filters

Large Capacity Fuel Filter: a 149 micron fuel or oil filter designed to be placed in line.
Application: all fuel and oil systems.



Code	Type	Use	Filter	Thread	Note
FF572-04	Sock filter	Fuel/oil	149 micron	JIC 7/16 x 20	-
FF572-06	Sock filter	Fuel/oil	149 micron	JIC 9/16 x 18	-
FF572-08	Sock filter	Fuel/oil	149 micron	JIC 3/4 x 16	-
FF572-10	Sock filter	Fuel/oil	149 micron	JIC 7/8 x 14	-

ATL
ADD THE LABORATORIES LTD
In Line filters

Usable with all liquids, compact body, removable and washable.



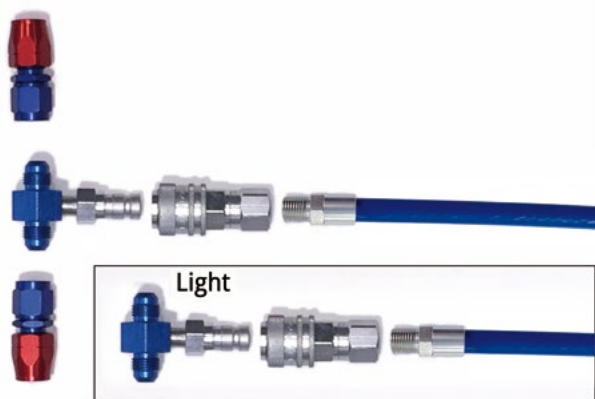
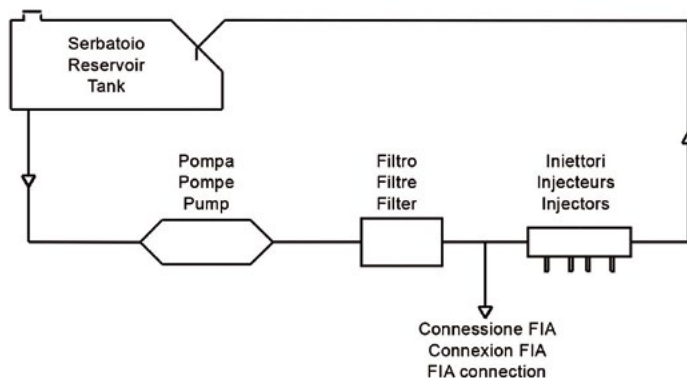
Code	Type	Use	Filter	Thread	Note
0450905021	Sock filter	For Bosch pump	-	M14 / M12	-





Gieffe Racing has developed a range of complete sets of valves and fittings to allow the taking of fuel samples as requested by most of the international regulations. Here is the assembly diagram published by F.I.A. paragraph n. 5 of the Technical List.

Remember that you can purchase each item individually.



Fuel taking Kits

The most economical solution, Aeroquip FBM3083 / D90 male valve in galvanized steel on 3-way threaded adapter and female valve with fuel resistant hose, to be kept in the passenger compartment.
GI05-200 - with straight fittings for 3-way adapter for Goodridge 200 series hose, internal rubber external stainless steel.

Code	Description
GI05-200	Fuel taking kit with standard valve - full



Fuel taking Kits

GI05-SR: Same as GI05-200 but without straight fittings for 3-way adapter

Code	Description
GI05-SR	Fuel taking kit with standard valve - light



Fuel taking Kits

Solution with Swap-Lite Valve 240106 / Goodridge QD588-06, 3-way threaded adapter is not supplied, but an adapter for sampling.
GI05-QD588-200 - with fittings for Goodridge series 200 hose, internal rubber external stainless steel

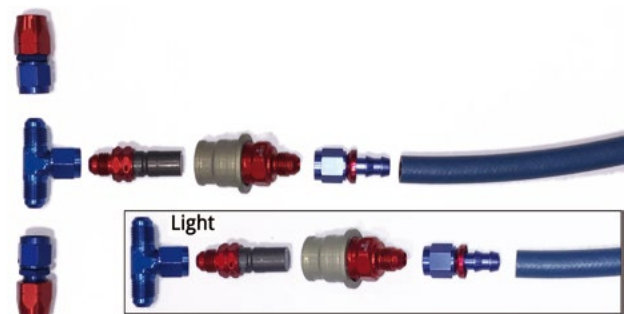
Code	Description
GI05-QD588-200	Fuel taking kit with QD valve - full



Fuel taking Kits

GI05-QD588-SR: same as GI05-QD588-200 - without fittings for Goodridge series 200 hose.

Code	Description
GI05-QD588-SR	Fuel taking kit with QD valve - light



Fuel taking Kits

The most used optimal solution. Staubli SPT08 flat face valve, 3-way adapter and relative fittings. Possibility of combining the kit with the homologated models SPT05 and SPH05 (see technical list no. 5 FIA). For any information, ask the Gieffe Racing sales office.
GI05-SPT08-200 - with fittings for Goodridge series 200 hose, internal rubber external stainless steel

Code	Description
GI05-SPT08-200	Fuel taking kit with Staubli valve - full



Fuel taking Kits

GI05-SPT08-SR: Same as GI05-SPT08-200 but without fittings for Goodridge series 200 hose.

Code	Description
GI05-SPT08-SR	Fuel taking kit with Staubli valve - light

NEWTON VENT VALVES

NEWTON IN-LINE

TRL Valves are suitable for Motorsport and can be used on cars up to and above F1, where they will be subjected to violent movement. **These valves are designed to be installed in-line, stored in a vertical position.**

The TPV In-Line valves are suitable for use in more general applications, such as everyday automotive use and fuel injection engines. They are designed so no standing gas is lost when the vehicle is at rest. They open when fuel is drawn from the tank and shut once activity ceases. Any pressure build-up will open the valve and will close once the pressure is released. These valves can be mounted at any angle.



TRL6



Code	Functions	Outside Ø	Middle Body Length	Tot Length	Thread	Spigot
TRL6	vent & roll-over	22,0 mm	39,6 mm	71,6 mm	JIC 9/16" x 18	-



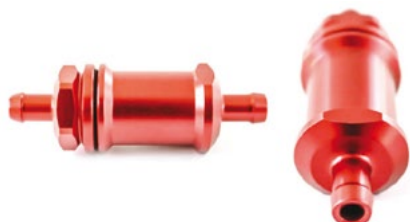
TRL88



Code	Functions	Outside Ø	Middle Body Length	Tot Length	Thread	Spigot
TRL88	vent & roll-over	22,0 mm	-	63,0 mm	-	8 mm



TRL7



Code	Functions	Outside Ø	Middle Body Length	Tot Length	Thread	Spigot
TRL7	vent & roll-over	22,0 mm	39,2 mm	62,5 mm	-	7 mm



TPV6



Code	Functions	Outside Ø	Middle Body Length	Tot Length	Thread	Spigot
TPV6	vent & roll-over	31,0 mm	40,0 mm	88,6 mm	JIC 9/16" x 18	-



TRL8



Code	Functions	Outside Ø	Middle Body Length	Tot Length	Thread	Spigot
TRL8	vent & roll-over	22,0 mm	38,8 mm	65,6 mm	JIC 9/16" x 18	7 mm



TPV8



Code	Functions	Outside Ø	Middle Body Length	Tot Length	Thread	Spigot
TPV8	vent & roll-over	31,0 mm	40,0 mm	79,0 mm	-	8 mm



TRL68



Code	Functions	Outside Ø	Middle Body Length	Tot Length	Thread	Spigot
TRL68	vent & roll-over	22,0 mm	38,7 mm	65,5 mm	JIC 9/16" x 18	8 mm



VRJ6-6



Code	Functions	Outside Ø	Middle Body Length	Tot Length	Thread	Spigot
VRJ6-6	vent, roll-over & overflow	31,0 mm	58,0 mm	86,0 mm	JIC 9/16" x 18	-

NEWTON VENT VALVES

NEWTON TANK MOUNT

The big ball Valves are designed primarily for car fuel tanks in motor sport applications, where they will be subjected to violent movement. The two- ball valves are open to the atmosphere so vapour can collect inside the vehicle. All installations should be piped to the outside of the vehicle or connected to a charcoal canister. Please see the specification for each product to see the correct installation advice.

The Small Tank Valves - are designed for Motorsport use on motorcycle fuel tanks, where they will be subjected to violent movement. The two ball valves should be piped to the outside of the vehicle or connected to a charcoal canister, in order to vent the vapour that collects inside the fuel tank. **They need to be mounted vertically to operate correctly.**



Code	Functions	Outside Ø	Middle Body Length	Tot Length	Thread	Spigot
TRV66	vent & overflow	22,0 mm	int. 18,0 mm	45,0 mm	JIC 9/16" x 18 & 9/16 x 18	-



Code	Functions	Outside Ø	Middle Body Length	Tot Length	Thread	Spigot
TRV86	vent & overflow	25,0 mm	int. 28,0 mm	55,0 mm	JIC 9/16" x 18 & 3/4" x 16	-



Code	Functions	Outside Ø	Middle Body Length	Tot Length	Thread	Spigot
TRV67	vent & overflow	22,0 mm	int. 18,0 mm	39,0 mm	JIC 9/16" x 18	7 mm



Code	Functions	Outside Ø	Middle Body Length	Tot Length	Thread	Spigot
TRV45	vent & overflow	17,5 mm	int. 15,0 mm	33,5 mm	JIC 7/16" x 20	4,7 mm



Code	Functions	Outside Ø	Middle Body Length	Tot Length	Thread	Spigot
TRV68	vent & overflow	22,0 mm	int. 18,0 mm	39,0 mm	JIC 9/16" x 18	8 mm

GOODRIDGE ROLL-OVER

Goodridge roll over valves are available in sizes AN-06 and AN-10. Both sizes are FIA approved, providing reliable roll-over function for all motorsport based applications. Application: Roll-over shut off



Code	Type	Application	Thread
ROV-06-FIA	FIA	Fuel	9/16 x 18
ROV-10-FIA	FIA	Fuel	7/8 x 14



FLAP VALVES



Goodridge FCV
Alloy cased flap check valves for low pressure oil and fuel applications. Comes with Viton GF seal.
Application: all fuel and oil systems.

Code	Thread
FCV-04	7/16 x 20
FCV-06	9/16 x 18
FCV-08	3/4 x 16
FCV-10	7/8 x 14



Mocal CVF

Code	Thread
CVF7-04	7/16 x 20
CVF7-6B	9/16 x 18



Orion NRV

Orion flap valve FIA (technical list no. 18). It must be applied when using tanks in the passenger compartment with outside supply pipe.

Code	Thread
NRV-0850	-



Orion NRV + Kit

Some customers requested us to propose them a positioning and fixing system for Orion NRV return valves.

The assembly kit OPF1850-1 has been designed to correspond to this need. It includes:

- 1 - Flexible filling pipe
- 2 - Mechanical clamp to fix and secure flexible filling pipe on the positioner. (Ref. OPC - 53)
- 3 - Internal clip to fix the valve in the positioner. Easy manual installation. (Ref. NRV0050 - 111)
- 4 - Single flap non return valve FIA homologated. New internal O'Ring seal. (Ref. NRV0850)
- 5 - Positioner to fix the non return valve. (Ref. FP 50 - 1)
- 6 - O'Ring seal between positioner and tank plate. (Ref. OPV 53 - 3)

Code	Thread
OPF1850-1	-

FUEL SYSTEMS

FLUSH FILLER CAPS

CLASSIC SERIES CUPS



Code	Max Ø	Cap Ø	Tot Height	Thread	Note
C20D	80,5 mm	61,5 mm	29,0 mm	2" x 18	Flange CF200 (not included)



Code	Max Ø	Cap Ø	Tot Height	Thread	Note
C35D	168,0 mm	122,0 mm	68,0 mm	3,5" x 11	Flange CF350 (not included)



Code	Max Ø	Cap Ø	Tot Height	Thread	Note
C25D	101,0 mm	75,5 mm	33,0 mm	2,5" x 16	Flange CF250 (not included)



Code	Cap Ø	Note
AST25	2,5"	Polished aluminium
AST275	2,75"	Polished aluminium
AST35	3,5"	Polished aluminium



Code	Cap Ø	Note
MON2	2"	Original Enots part
MON25	2,5"	Original Enots part



Code	Cap Ø	Note
MON25X	2,5"	Non-original
MON2X	2"	Non-original

AERO SERIES CAPS



Aero 200



Code	Outside Ø	Center Ø	Bolt circle Ø	Neck Ø	Overall Depth	Lock
A26NS	80,0 mm	46,0 mm	63,5 mm	52,0 mm	31,0 mm	no
A26S	80,0 mm	46,0 mm	63,5 mm	44,0 mm	26,5 mm	no
A2NS	52,0 mm	35,5 mm	-	-	12,8 mm	no
A2NSX	50,0 mm	35,5 mm	-	-	38,0 mm	no



Aero 500



Code	Outside Ø	Center Ø	Bolt circle Ø	Neck Ø	Overall Depth	Lock
A512L	139,0 mm	99,5 mm	120,6 mm	-	44,5 mm	yes
A512NL90	139,0 mm	99,5 mm	120,6 mm	90,0 mm	52,0 mm	yes
A512NS90	139,0 mm	99,5 mm	120,6 mm	90,0 mm	52,0 mm	no
A512S	139,0 mm	99,5 mm	120,6 mm	-	44,5 mm	no



Aero 300



Code	Outside Ø	Center Ø	Bolt circle Ø	Neck Ø	Overall Depth	Lock
A36L	94,0 mm	58,4 mm	76,2 mm	-	33,7 mm	yes
A36NL1	94,0 mm	58,0 mm	76,2 mm	58,0 mm	52,0 mm	yes
A36NL2	94,0 mm	58,0 mm	76,2 mm	58,0/52,0 mm	62,0 mm	yes
A36NS1	94,0 mm	58,0 mm	76,2 mm	58,0 mm	52,0 mm	no
A36NS2	94,0 mm	58,0 mm	76,2 mm	58,0/52,0 mm	62,0 mm	no
A36S	94,0 mm	58,4 mm	76,2 mm	-	33,7 mm	no



Aero 600



Code	Outside Ø	Center Ø	Bolt circle Ø	Neck Ø	Overall Depth	Lock
A68L	126,0 mm	77,0 mm	107,9 mm	-	39,0 mm	yes
A68NL50	126,0 mm	77,0 mm	107,9 mm	50,0 mm	63,5 mm	yes
A68NL57	126,0 mm	77,0 mm	107,9 mm	57,0 mm	63,5 mm	yes
A68NS50	126,0 mm	77,0 mm	107,9 mm	51,0 mm	63,5 mm	no
A68NS57	126,0 mm	77,0 mm	107,9 mm	58,0 mm	63,5 mm	no
A68S	126,0 mm	77,0 mm	107,9 mm	-	39,0 mm	no



Aero 400



Code	Outside Ø	Center Ø	Bolt circle Ø	Neck Ø	Overall Depth	Lock
A48L	120,0 mm	76,5 mm	101,6 mm	-	33,2 mm	yes
A48NL50	120,0 mm	58,0 mm	101,6 mm	50,0 mm	62,0 mm	yes
A48NL57	120,0 mm	58,0 mm	101,6 mm	57,0 mm	62,0 mm	yes
A48NS50	120,0 mm	58,0 mm	101,6 mm	50,0 mm	62,0 mm	no
A48NS57	120,0 mm	58,0 mm	101,6 mm	57,0 mm	62,0 mm	no
A48S	120,0 mm	76,5 mm	101,6 mm	-	33,2 mm	no

CAP FUNNELS / PLATES



Collari



Code	For model:	Diameter
CN4850	A48S & L	50 mm (2")
CN4857	A48S & L	57 mm



Flange



Code	For model:	Diameter
CF200	2,0"	82 mm
CF250	2,5"	94 mm
CF275	2,75 mm	94 mm
CF350	3,5"	126 mm