

G

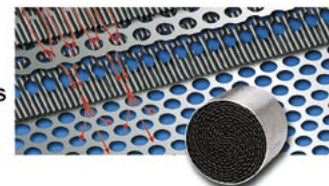
14

HAUST
EX

Catalyst Selection

The initial parameter for the selection of catalysts range is the displacement, in some cases it is preferable to use a suitable model for a larger displacement. Within the same displacement range you can choose between different diameters of the pipe.

All HJS catalytic converters are supplied with TÜV certification, and mounting kit.



Catalyst Muffler Systems

The developed HJS motorsport catalyst muffler system provides many advantages. The compact construction permits the installation also in vehicles with little ground clearance. The combination of muffler and catalyst effects a clear weight reduction. The exchangeable catalyst unit guarantees a cost-effective replacement.



Code	Pipe Ø	Certification	Ø x Length
90950600	63,5 mm	WRC 1112/10 PE	142 x 425 mm
90950601	63,5 mm	WRC 1112/10 PE	Spare Part Catalyst
90950610	70 mm	WRC 1112/10 PE	142 x 425 mm
90950611	70 mm	WRC 1112/10 PE	Spare Part Catalyst
90950670	70 mm	DMSB-CAT-1-6/14	143 x 580 mm
90950680	60 mm	DMSB-CAT-1-6/14	142 x 420 mm



Diesel Particulate Filters



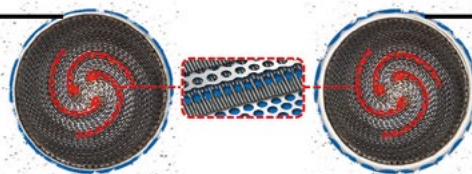
Code	Vehicle classification	FIA certification	Note
90952501	up to 2000 cm3 / 210 HP	MS DPF 1.8/0.87	front-wheel drive
90952502	up to 2000 cm3 / 280 HP	MS DPF 2.4/1.3	front-wheel drive
90952505	up to 2000 cm3 / 210 HP	MS DPF 1.7/0.87	rear-wheel drive

MOTORSPORT CATALYSTS

Motorsport HJS catalyst have as standard (Cup series): triple foil winding, 3 winding centers, high durability and strength.

PE design

- Perforated foil structure
- 15% Exhaust back pressure reduction
- 30% lighter than competitive products



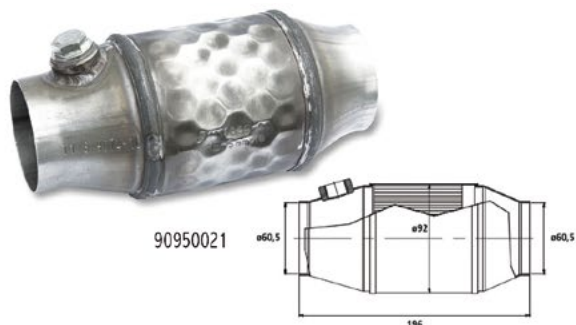
Ultra Light

- Perforated foil structure
- 15% Exhaust back pressure reduction
- 50% lighter than competitive products



Ultra Light

Ultra-light catalytic converter reduces weight by up to 30%. With the new ultra-light metal support it was possible to reduce the HJS FIA homologated catalyst's overall weight by up to 30%. The thickness of the catalyst casing can be reduced from 1.5 to 0.5 mm by use of the new three-dimensional bionic structure. In connection with the previously used perforated foil (PE) there is a significant weight reduction of over 50% compared to products of competitors. The smaller difference in thermal capacity of the steel foil matrix and the casing is another advantage of the product. As a result the durability doubles under the extremely high thermal shock loads commonly experienced in motorsport.



Code	Hp/cm	Pipe Ø	Max Ø	Length	FIA certification	Weight	Note
90950021	180/1200 cm3	60,5 mm	92 mm	196 mm	T 1.6 9074-10	0,8 Kg	360/2000 cm3 if 2 mounted parallel
90950061	350/1600 cm3	76 mm	130 mm	335 mm	T 1.6 1277-10	1,2 Kg	-

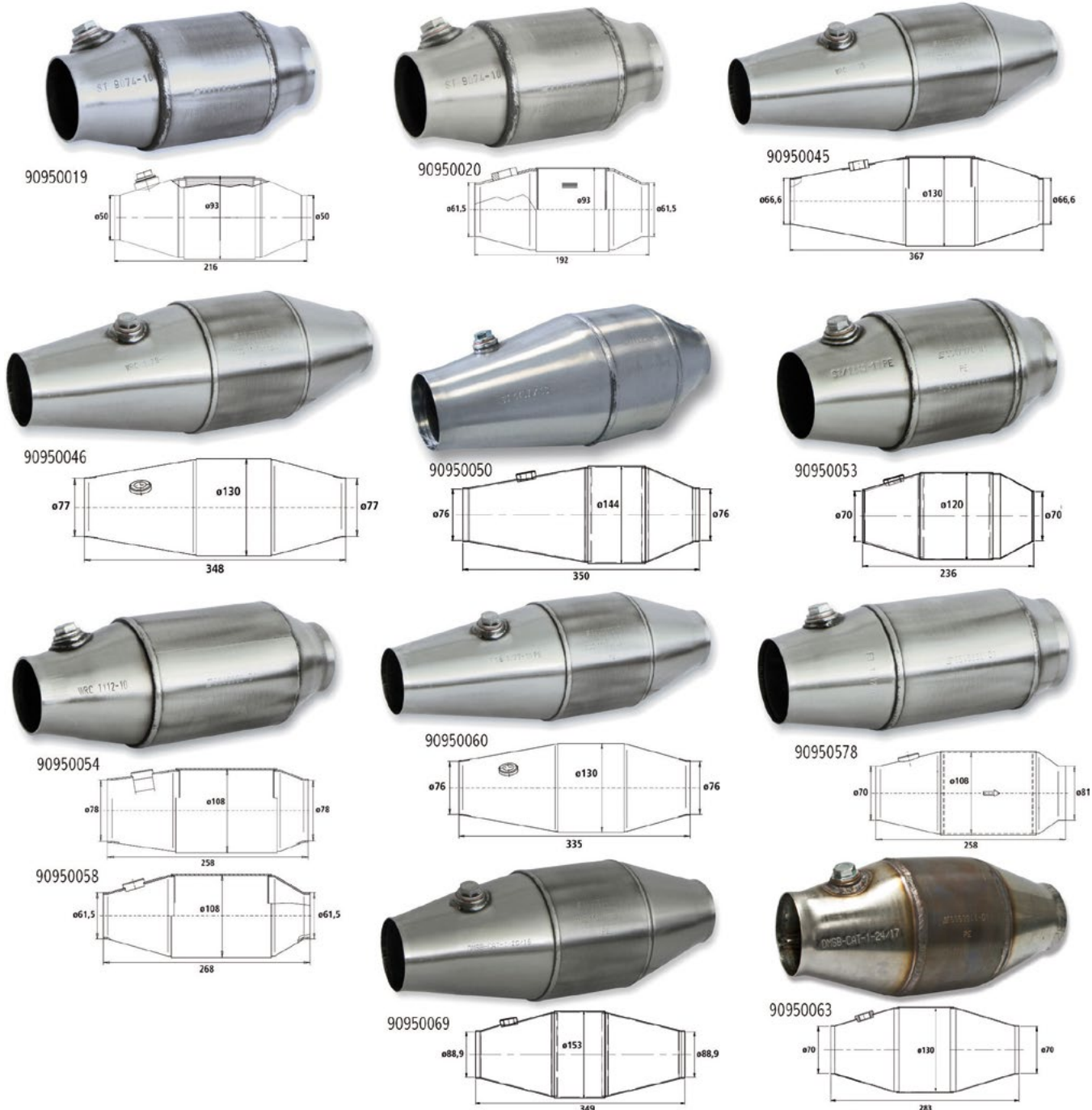
MOTORSPORT CATALYSTS



PE design

HJS offers a universal non-regulated catalytic converter system with 100 cpsi for motor sport applications. For the different cubic capacity classes of racing vehicles, a correspondingly adapted catalytic converter volume has been developed.

The new generation of HJS high performance catalysts with FIA homologation are characterized by 30 % less weight in relation to the so far used parts. We have reduced the backpressure about another 15%, the exhaust gas pollution reduction is optimised as well. The thickness of the foil (0.11 mm) persists unchanged. For the catalysts with the new developed foil we can guarantee the same durability in relation to our so far offered products.



Code	Hp/cm3	Pipe Ø	Max Ø	Length	FIA certification	Weight	Note
90950019	180/1200 cm3	50 mm	93 mm	216 mm	ST 9074/10 PE	1,0 Kg	360 HP/2000 cm3 if 2 mounted parallel
90950020	180/1200 cm3	61,5 mm	93 mm	192 mm	ST 9074/10 PE	1,0 Kg	360 HP/2000 cm3 if 2 mounted parallel
90950054	240/2000 cm3	78 mm	108 mm	258 mm	WRC 1112/10 PE	1,6 Kg	480 HP/4000 cm3 if 2 mounted parallel
90950058	240/2000 cm3	61,5 mm	108 mm	268 mm	WRC 1112/10 PE	1,8 Kg	480 HP/4000 cm3 if 2 mounted parallel
909500578	240/2000 cm3	70 mm IN - 81 mm OUT	108 mm	258 mm	F3 1012-10 PE	1,6 Kg	-
90950053	300/2000 cm3	70 mm	120 mm	236 mm	S2 1210/10 PE	1,5 Kg	560 HP/4000 cm3 if 2 mounted parallel
90950060	350/1600 cm3	76 mm	130 mm	335 mm	T 1.6 1277-10 PE	1,7 Kg	-
90950045	350/2000 cm3	66,6 mm	130 mm	367 mm	WRC 1279/10 PE	2,0 Kg	700 HP/5000 cm3 if 2 mounted parallel
90950046	350/2000 cm3	77 mm	130 mm	348 mm	2/2790-10 PE	2,0 Kg	700 HP/5000 cm3 if 2 mounted parallel
90950050	400/3000 cm3	76 mm	144 mm	350 mm	GT 1407/10 PE	3,1 Kg	800 HP/6000 cm3 if 2 mounted parallel
90950069	500/3000 cm3	88,9 mm	153 mm	349 mm	DMSB-CAT-1-20/16	2,5 Kg	900 HP/6000 cm3 if 2 mounted parallel
90950063							

MOTORSPORT CATALYSTS



Cup Series

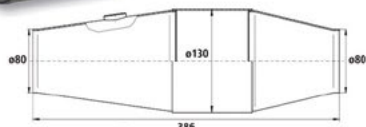
For all Cup series and standard motorsport cars with exhaust temperature not over 950 degrees centigrade, HJS offers a special 100 cpsi catalyst which combines the high quality of HJS products with a best price calculation.

The target group are production-based F / Gr. N / R (non-turbocharged) cars. The catalyst R 9012-10 Cup is the right choice for all cars up to 1600 ccm/ 180 hp, the catalyst WRC 1112-10 CUP for all cars up to 2000 ccm/ 240 hp and the catalyst WRC 1279-10 Cup for all cars up to 2000 ccm / 300 hp.

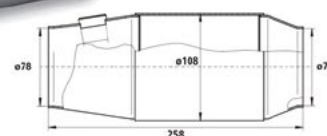
The Cup catalysts are based on the well known HJS product line of motorsport catalysts, that guarantees best quality and durability for years.



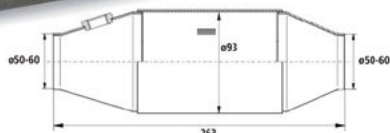
90950044



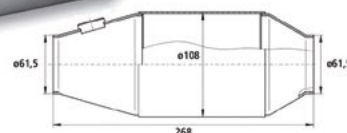
90950055



90950056



90950057



Code	Hp/ccm	Pipe Ø	Max Ø	Length	FIA certification	Weight	Note
90950056	180/1600 cm3	60 mm	93 mm	263 mm	R9012-10	1,7 Kg	360 HP/3600 cm3 if 2 mounted parallel
90950055	240/2000 cm3	78 mm	108 mm	258 mm	WRC 1112-10	2,1 Kg	-
90950057	240/2000 cm3	61,5 mm	108 mm	268 mm	WRC 1112-10	2,2 Kg	-
90950044	300/2000 cm3	80 mm	130 mm	386 mm	WRC 1279-10	2,9 Kg	600 HP/4000 cm3 if 2 mounted parallel

TUNING CATALYSTS



Tuning catalysts

On our web site you can also find a wide range of catalysts for tuning use for the main models by car. Scan the QR-code to directly access the dedicated section and make your choice.



Italiano



English



Français



Español



WRC COMPLETE CATALYST SYSTEM



MITSUBISHI

HJS has developed an exhaust system for Mitsubishi EVO VII up to X including FIA homologated catalytic converters. The exhaust systems are made of stainless steel.

HJS also offers an optimized front pipe for the Mitsubishi VII / VIII / IX / X.

The Gr. R4 exhaust systems have been adapted to the specific capabilities of the technical regulations.



Motorsport Exhaust System Mitsubishi EVO X

Code	For model	Exhaust system part	Parts of the kit	Catalyst
90600308	EVO VII / VIII / IX	Front Pipe Gr. N	-	-
90600310	EVO X	Front Pipe Gr. N	1	-
90600313	EVO X	Middle Section with Flange Gr. N	4	-
90950310	EVO X	Exhaust System Gr. N	1 - 4 - 5 - 6	WRC 1279/10 PE
90950319	EVO X	Retail Catalytic Converter Gr. N	6	WRC 1279/10 PE
90950320	EVO X	Exhaust System Gr. A	1 - 4 - 5 - 6	WRC 1279/10 PE



Stepped Connection Pipes

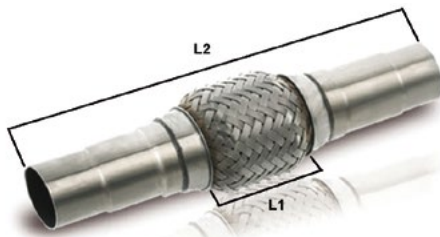
WARNING: the minimum diameter and intermediate are measured OUTSIDE. The maximum diameter is measured INSIDE.



Code	Pipe steps Ø	Length
90605020	45/48/50 mm	170 mm
90605120	48/50/55 mm	170 mm
90605220	50/55/60 mm	170 mm
90605320	55/60/70 mm	170 mm
90605520	60/70/76 mm	170 mm



Stepped Flexible Tubes



Code	Pipe Ø	Flexible part Ø	Flexible part length (L1)	Total length (L2)
83008560	45/48/50 mm	76 mm	100 mm	400 mm
83008561	48/50/55 mm	85 mm	105 mm	400 mm
83008562	50/55/60 mm	90 mm	120 mm	400 mm
83008563	55/60/70 mm	95 mm	150 mm	400 mm



3-Thickness Flexible-pipe couplings



Code	Inside Ø	Length	Note
90604910	45 mm	94 mm	outside Ø = 70 mm
90605110	50 mm	100 mm	outside Ø = 75 mm
90605210	55 mm	105 mm	outside Ø = 80 mm
90605310	60 mm	120 mm	outside Ø = 90 mm
90605410	64 mm	200 mm	2-thick walled - outside Ø = 86 mm
90605510	70 mm	150 mm	outside Ø = 95 mm
90605710	76 mm	150 mm	outside Ø = 101 mm



3-hole Flanges



Code	Diameter	Bolt circle	Bore Ø
90603107	50 mm	76 mm	9 mm
90603109	60 mm	91 mm	9 mm
90603110	80 mm	116 mm	11 mm



Pipes and Bends



Code	Outside Ø	Description	Length	Wall thickness
90604900	45 mm	Straight Pipe	980 mm	1,5 mm
90604930	45 mm	30° Bend	125 mm	1,5 mm
90604945	45 mm	45° Bend	135 mm	1,5 mm
90604960	45 mm	60° Bend	160 mm	1,5 mm
90604990	45 mm	90° Bend	220 mm	1,5 mm
90605000	48 mm	Straight Pipe	980 mm	1,5 mm
90605030	48 mm	30° Bend	125 mm	1,5 mm
90605045	48 mm	45° Bend	135 mm	1,5 mm
90605060	48 mm	60° Bend	160 mm	1,5 mm
90605090	48 mm	90° Bend	220 mm	1,5 mm
90605100	50 mm	Straight Pipe	980 mm	1,5 mm
90605130	50 mm	30° Bend	120 mm	1,5 mm
90605145	50 mm	45° Bend	140 mm	1,5 mm
90605160	50 mm	60° Bend	140 mm	1,5 mm
90605190	50 mm	90° Bend	220 mm	1,5 mm
90605200	55 mm	Straight Pipe	980 mm	1,5 mm
90605230	55 mm	30° Bend	120 mm	1,5 mm
90605245	55 mm	45° Bend	160 mm	1,5 mm
90605260	55 mm	60° Bend	165 mm	1,5 mm
90605290	55 mm	90° Bend	220 mm	1,5 mm
90605300	60 mm	Straight Pipe	980 mm	1,5 mm
90605330	60 mm	30° Bend	120 mm	1,5 mm
90605345	60 mm	45° Bend	145 mm	1,5 mm
90605360	60 mm	60° Bend	160 mm	1,5 mm
90605390	60 mm	90° Bend	220 mm	1,5 mm
90605400	65 mm	Straight Pipe	980 mm	1,5 mm
90605430	65 mm	30° Bend	120 mm	1,5 mm
90605445	65 mm	45° Bend	145 mm	1,5 mm
90605460	65 mm	60° Bend	190 mm	1,5 mm
90605490	65 mm	90° Bend	220 mm	1,5 mm
90605500	70 mm	Straight Pipe	980 mm	1,5 mm
90605530	70 mm	30° Bend	120 mm	1,5 mm
90605545	70 mm	45° Bend	145 mm	1,5 mm
90605560	70 mm	60° Bend	190 mm	1,5 mm
90605590	70 mm	90° Bend	240 mm	1,5 mm
90605700	76 mm	Straight Pipe	980 mm	1,5 mm
90605730	76 mm	30° Bend	130 mm	1,5 mm
90605745	76 mm	45° Bend	150 mm	1,5 mm
90605760	76 mm	60° Bend	190 mm	1,5 mm
90605790	76 mm	90° Bend	250 mm	1,5 mm



SoftFlex bellows



Code	L-Flex	Outside-Ø SoftFlex	Inside Ø
83008571	200 mm	71 mm	50 mm
83008579	190 mm	80 mm	60 mm
83008583	205 mm	115 mm	76 mm



Y-Pipes



Code	Outside Ø	Pipe distance	Total length
90605150	1 x 50 mm / 2 x 50 mm	70 mm	200 mm
90605251	1 x 55 mm / 2 x 50 mm	70 mm	200 mm
90605352	1 x 60 mm / 2 x 55 mm	75 mm	200 mm
90605354	1 x 60 mm / 2 x 60 mm	80 mm	200 mm
90605553	1 x 70 mm / 2 x 60 mm	80 mm	200 mm
90605755	1 x 76 mm / 2 x 60 mm	80 mm	200 mm



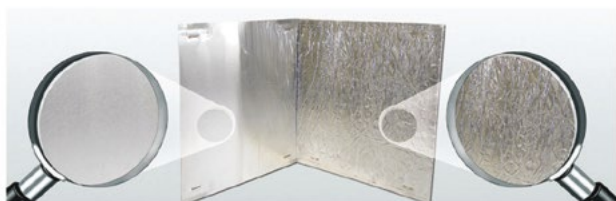
Compensators



Code	Inside Ø	Total length
90604915	45 mm	155 mm
90605015	48 mm	155 mm
90605115	50 mm	155 mm
90605215	55 mm	155 mm
90605315	60 mm	155 mm
90605515	70 mm	155 mm
90605715	76 mm	155 mm



Heat shields



A 0.5 mm thick aluminum blank is used as support material and guarantees the necessary stability for the mounting on the vehicle

A 2.0 mm thick ceramics fleece material is used as a heat shield, which is heat resistance up to 1.000° C.

Code	Dimensions	Thickness
90603150	330 x 330 mm	2,5 mm
90603151	330 x 500 mm	2,5 mm
90603152	330 x 660 mm	2,5 mm



Inox Straight Holders



Code	Diameter	Length
90600026	10 mm	220 mm
90600027	10 mm	250 mm



Pipe Couplings



Code	Inside Ø	Description	Length
90603113	45 mm	With Lambda Plug	75 mm
90603114	45 mm	Without Lambda Plug	75 mm
90603115	50 mm	With Lambda Plug	75 mm
90603116	50 mm	Without Lambda Plug	75 mm
90603118	55 mm	With Lambda Plug	75 mm
90603119	55 mm	Without Lambda Plug	75 mm
90603120	60 mm	With Lambda Plug	75 mm
90603121	60 mm	Without Lambda Plug	75 mm
90603123	70 mm	With Lambda Plug	75 mm
90603124	70 mm	Without Lambda Plug	75 mm
90603125	76 mm	With Lambda Plug	75 mm
90603126	76 mm	Without Lambda Plug	75 mm



Competition Silencers



Code	Tube Ø	Shape	Box dimensions (Ø x L / H x W x L)	Total length
90606135	50 mm	Cylindrical	100 x 400 mm	650 mm
90606140	50 mm	Cylindrical	125 x 400 mm	650 mm
90606245	55 mm	Cylindrical	125 x 450 mm	700 mm
90606745	55 mm	Oval	150 x 225 x 450 mm	700 mm
90606335	60 mm	Cylindrical - stainless steel	110 x 350 mm	450 mm
90606343	60 mm	Cylindrical - stainless steel	150 x 430 mm	650 mm
90606345	60 mm	Cylindrical	125 x 450 mm	700 mm
90606899	60 mm	Oval - stainless steel	120 x 180 x 340 mm	450 mm
90606845	60 mm	Oval	150 x 225 x 450 mm	700 mm
90606545	70 mm	Cylindrical - stainless steel	125 x 450 mm	650 mm
90606740	76 mm	Cylindrical - stainless steel	125 x 400 mm	600 mm



Connection Adaptors



Code	Diameter	Length
83122857	45 mm	90 mm
83004809	48 mm	90 mm
83005007	50 mm	70 mm
83122858	50 mm	90 mm
83005507	55 mm	70 mm
83122860	55 mm	90 mm
83006007	60 mm	70 mm
83122859	60 mm	90 mm
83006507	65 mm	70 mm
83006509	65 mm	90 mm
83007007	70 mm	70 mm

UNIVERSAL PARTS

Locking Springs & Brackets

Code	Dimensions (Ø x L)
90600512	8 x 80 mm
90600515	Bracket

Packing Rings

Code	Diameter
83112088	45/48/50 mm
83111392	55/60 mm
90603138	70/76 mm

V-Band clamps with flanges



Code	Pipe Ø
90605196	50 mm
90605296	55 mm
90605396	60 mm
90605496	65 mm
90605596	70 mm
90605796	76 mm

Lambda Sensor Plugs & Rings



Code	Description	Screw Thread	Note
90600619	CO - Sensor Threaded Ring	M 14 x 1,5	Stainless Steel
83000244	Lambda - Sensor Screwed Sealing Plug	M 18 x 1,5	-
90609724	Lambda - Sensor Threaded Ring with Bevel	M 18 x 1,5	Stainless Steel
90607690	Lambda - Sensor Threaded Ring, Straight	M 18 x 1,5	Stainless Steel
90609725	Lambda - Sensor Threaded, 45° Ring	M 18 x 1,5	Stainless Steel
83000001	NOx - Sensor Screwed Sealing Plug	M 20 x 1,5 - 6H	Stainless Steel
90604553	NOx - Sensor Threaded Ring	M 20 x 1,5 - 6H	Stainless Steel
90600023	Screwed Sealing Plug	M 14 x 1,5	Stainless Steel
93024806	Temperature PT - Threaded Ring	M 14 x 1,5	Stainless Steel

Clamp Kit

Kit includes: 10 pieces Ø 11 - 12,5 mm (green), 10 pieces Ø 12,5 - 14 mm (blue), 10 pieces Ø 13,5 - 15 mm (black)



Code	Description
92101000	HJS Clamp Kit - set 3 x10 parts

Pipe Clamps



Code	Diameter
83118908	45,5 mm
83118904	48,5 mm
83118914	50,5 mm
83118909	55,5 mm
83118917	60,5 mm
83118918	64,5 mm

U-Clamps



Code	Diameter
83008645	45,0 mm
83008648	48,0 mm
83008650	50,0 mm
83008658	58,0 mm
83008660	60,0 mm
83008665	65,0 mm
83008670	70,0 mm

V-Band clamps



Code	Pipe Ø
90605195	50 mm
90605295	55 mm
90605395	60 mm
90605495	65 - 76 mm



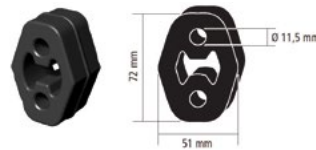
Rubber Pads

Code	Thickness	Dimensions
90601350	14 mm	Inside Ø 30,5 / Outside 57 mm



Rubber Pads

Code	Thickness	Dimensions
90601646	34,8 mm	102,5 x 31,5 mm



Rubber Pads

Code	Thickness	Dimensions
90601900	34 mm	51 x 72 mm



Rubber Pads

Code	Thickness	Dimensions
90601960	34 mm	89 x 68 mm



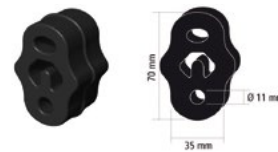
Rubber Pads

Code	Thickness	Dimensions
90601964	42,5 mm	38 x 53,5 mm



Rubber Pads

Code	Thickness	Dimensions
90607111	19,2 mm	53,5 x 68 mm



Rubber Pads

Code	Thickness	Dimensions
90607112	38 mm	35 x 70 mm

Silent Blocks



Code	Outside Ø	Total length	Dimensions
83122084	20,0 mm	35,0 mm	M6 x 10,0 mm
83236651	25,0 mm	48,0 mm	M6 x 11,5 mm
83226932	25,0 mm	61,0 mm	M8 x 20,0 mm
83212933	30,0 mm	45,0 mm	M8 x 14,0 mm
83346553	33,0 mm	54,4 mm	5/16" UNF x 16,9 mm
83111931	40,0 mm	60,0 mm	M8 x 15,0 mm
83236652	42,0 mm	63,0 mm	M10 x 17,5 mm
83236660	42,0 mm	70,0 mm	M8 x 21,0 mm