

2006

TECH
TECH
ES

SINTERED AP RACING CLUTCH KITS

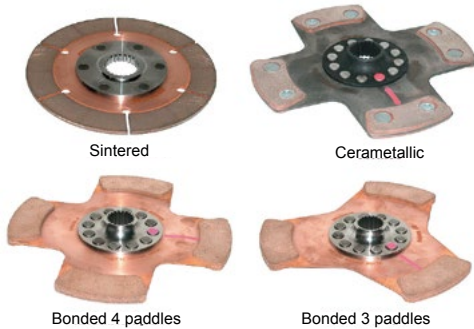
i Sintered or cerametallic?

SINTERED

- Primary used in race applications
- Compact installation
- Low inertia
- Lightweight

CERAMETALLIC

- Primary used in rally/off road applications
- Resistant to high energy input (i.e. long slip)
- Smoother engagement
- Less prone to judder



Sintered

A thin metal layer is sintered directly onto the steel disc. Normally used for speed racing

Cerametallic

Applying cerametallic items on the disc drastically improve the heat dissipation; This solution is mainly used in rally races where the intensive use of the clutch, in the form of slipping, forms part of the driving technique.

Bonded discs

The plates of cerametallico material are not riveted but pasted. This new technology increases the friction area.

Note: Even if recommended for different specific uses, sintered and cerametallic clutches can be used in all kinds of competition



Back to Back - available in sizes Ø115, Ø140 e Ø184mm. Ø140mm has a large area plate available (CP3683)

Back to Back extended hub nose - available in sizes Ø140mm single or twin plate clutches. Extended nose to increase spline engagement to reduce wear.

Gear driven - designed to provide increased flywheel/crankshaft fixing bolt clearance and maximim spline lenght. Available in Ø140 and Ø184mm in either 2,3 or 4 plate versions. Recommended where a high level of engine vibration or input shaft runout can be expected.

Nested - allows for extra flywheel/ crankshaft fixing bolt clearance. Available on Ø115 & Ø184mm clutches only.

Diameter

There are five diameters to choose from: Ø115mm (4½"), Ø140mm (5½"), Ø184mm (7¼"), Ø200mm and Ø215 mm (8½"). A larger diameter increases torque capacity & reduces wear but increases inertia.

Moment of inertia

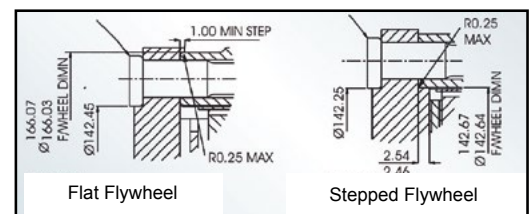
Rotating mass around the axis of clutch. Lower moment of inertia will result in faster engine response and gear changes.

Number of driven plates

The number of plates required for an application will depend on engine torque, clutch diameter and clamp load. Generally a smaller diameter clutch will require ore plates than a larger diameter unit. A comprehensive range of splines is available to suit most trasmission input shafts.

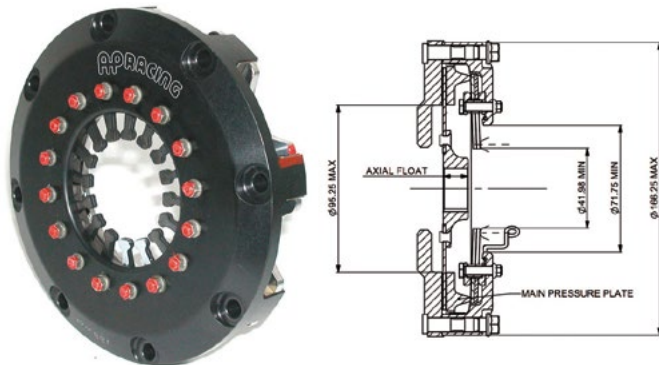
If the spline required is not in this catalogue, please contact us.

Mounting



CP6001

140mm single plate A-ring sintered

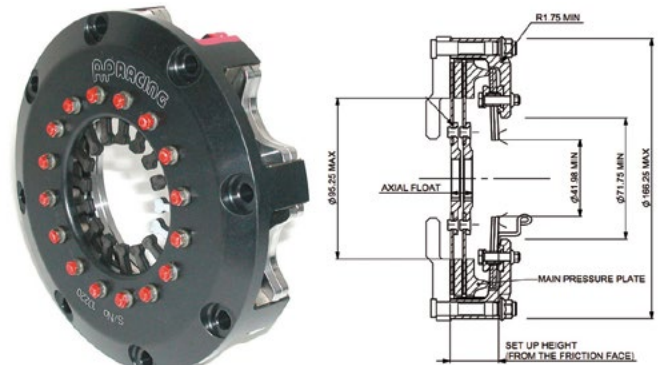


Code	Plate Ø	No. of plates.	Fixing	Torque capacity	Cover
CP6001-OH90-SF	140 mm	1	Stepped flywheels	157 Nm (116 lb/ft)	Aluminium
CP6001-CH90-SF	140 mm	1	Stepped flywheels	210 Nm (155 lb/ft)	Aluminium



CP6002

140mm 2 plate A-ring sintered



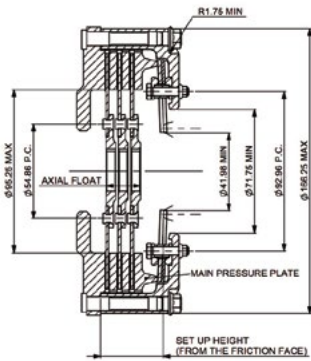
Code	Plate Ø	No. of plates.	Fixing	Torque capacity	Cover
CP6002-BH90-SF	140 mm	2	Stepped flywheels	218 Nm (161 lb/ft)	Aluminium
CP6002-OH90-SF	140 mm	2	Stepped flywheels	314 Nm (232 lb/ft)	Aluminium
CP6002-CH90-FF	140 mm	2	Flat flywheels	420 Nm (310 lb/ft)	Aluminium
CP6002-CH90-SF	140 mm	2	Stepped flywheels	420 Nm (310 lb/ft)	Aluminium

SINTERED AP RACING CLUTCH KITS



CP6003

140mm 3 plate A-ring sintered

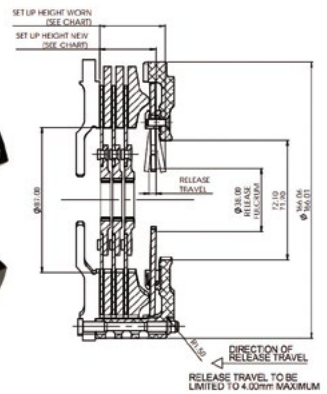


Code	Plate Ø	No. of plates.	Fixing	Torque capacity	Cover
CP6003-OH90-FF	140 mm	3	Flat flywheels	471 Nm (348 lb/ft)	Aluminium
CP6003-OH90-SF	140 mm	3	Stepped flywheels	471 Nm (348 lb/ft)	Aluminium
CP6003-CH90-SF	140 mm	3	Stepped flywheels	630 Nm (465 lb/ft)	Aluminium



CP8773

140 mm 3 plate sintered "I Drive"

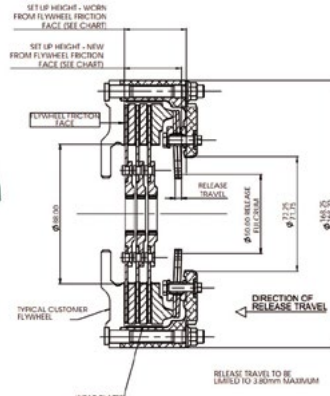


Code	Plate Ø	No. of plates.	Fixing	Torque capacity	Cover
CP8773-BS90-SF	140 mm	3	Stepped flywheel	870 Nm (614 lb/ft)	Aluminium



CP6013

140mm 3 plate sintered

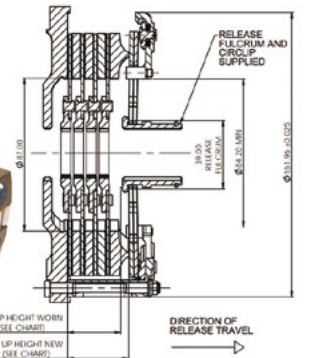


Code	Plate Ø	No. of plates.	Fixing	Torque capacity	Cover
CP6013-OH90-SF	140 mm	3	Stepped flywheels	450 Nm (348 lb/ft)	Aluminium
CP6013-CH90-SF	140 mm	3	Stepped flywheels	630 Nm (465 lb/ft)	Aluminium



CP8884

140mm 4 plate sintered
Download customer drawing in DOWNLOAD section of the model

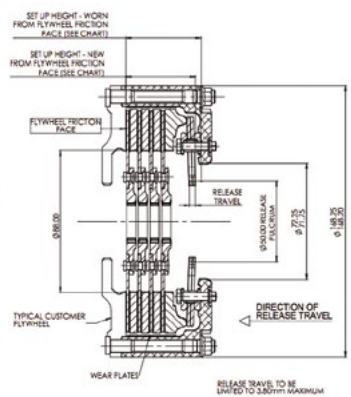


Code	Plate Ø	No. of plates.	Fixing	Torque capacity	Cover
CP8884-OH90-FR	140 mm	4	Flat flywheels	1392 Nm (1026 lb/ft)	Cushioning in cover



CP6014

140mm 4 plate sintered

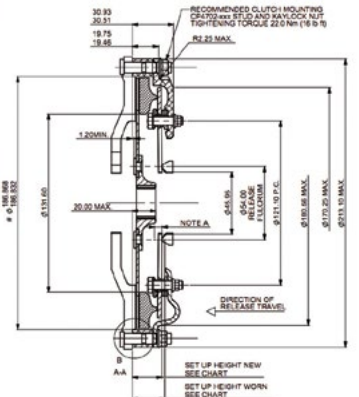


Code	Plate Ø	No. of plates.	Fixing	Torque capacity	Cover
CP6014-OH90-SF	140 mm	4	Stepped flywheels	600 Nm (442 lb/ft)	Aluminium
CP6014-CH90-SF	140 mm	4	Stepped flywheels	840 Nm (592 lb/ft)	Aluminium



CP2116

184mm single plate A-ring sintered



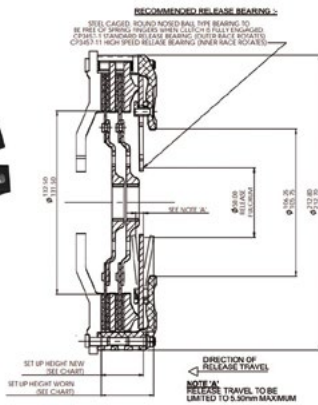
Code	Plate Ø	No. of plates.	Fixing	Torque capacity	Cover
CP2116AGR	184 mm	1	Stepped flywheels	164 Nm (121 lb/ft)	Aluminium
CP2116GRN	184 mm	1	Stepped flywheels	164 Nm (121 lb/ft)	Steel
CP2116AORA	184 mm	1	Stepped flywheels	266 Nm (196 lb/ft)	Aluminium
CP2116ORA	184 mm	1	Stepped flywheels	266 Nm (196 lb/ft)	Steel
CP2116ACRV	184 mm	1	Stepped flywheels	424 Nm (313 lb/ft)	Aluminium
CP2116CRV	184 mm	1	Stepped flywheels	424 Nm (313 lb/ft)	Steel

SINTERED AP RACING CLUTCH KITS



CP8742

184 mm Heavy Duty, 12 bolt "I" Drive, 2 plate sintered

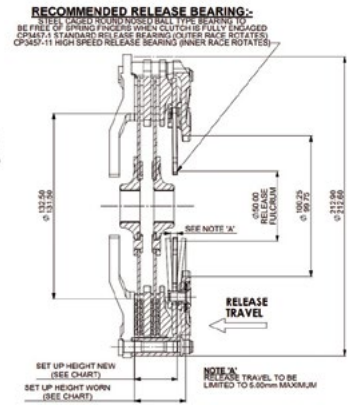


Code	Plate Ø	No. of plates.	Fixing	Torque capacity	Cover
CP8742-CH81-SF	184 mm	2	Stepped flywheels	559 Nm (411 lb/ft)	Aluminium
CP8742-TH81-SF	184 mm	2	Stepped flywheels	735 Nm (542 lb/ft)	Aluminium



CP8842

184 mm, 6 bolt - cushion cover, 2 plate sintered



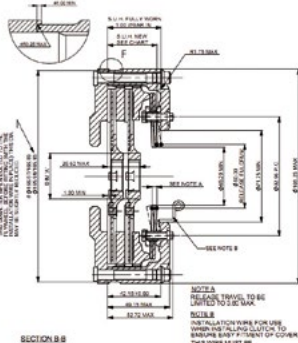
Code	Plate Ø	No. of plates.	Fixing	Torque capacity	Cover
CP8842-CE81-SR	184 mm	2	Stepped flywheels	475 Nm (350 lb/ft)	Aluminium

CERAMETALLIC AP RACING CLUTCH KITS



CP6092

140mm 2 plate paddle Cerametallic

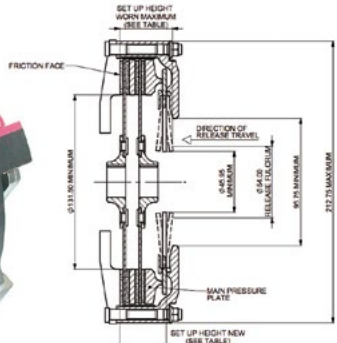


Code	Plate Ø	No. of plates.	Fixing	Torque capacity	Cover
CP6092AORA	140 mm	2	Flat flywheels	298 Nm (220 lb/ft)	Aluminium
CP6092ACRV	140 mm	2	Flat flywheels	398 Nm (294 lb/ft)	Aluminium



CP7382

184mm 2 plate Cerametallic

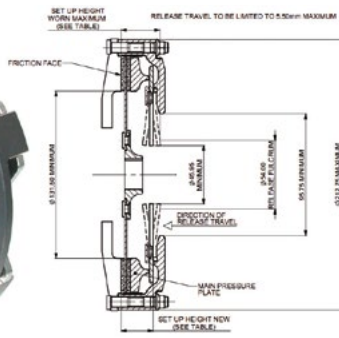


Code	Plate Ø	No. of plates.	Fixing	Torque capacity	Cover
CP7382-NH80-SF	184 mm	2	Stepped flywheels	263 Nm (194 lb/ft)	Aluminium
CP7382-OH80-SF	184 mm	2	Stepped flywheels	421 Nm (310 lb/ft)	Aluminium
CP7382-CH80-SF	184 mm	2	Stepped flywheels	636 Nm (469 lb/ft)	Aluminium



CP7381

184mm single plate Cerametallic

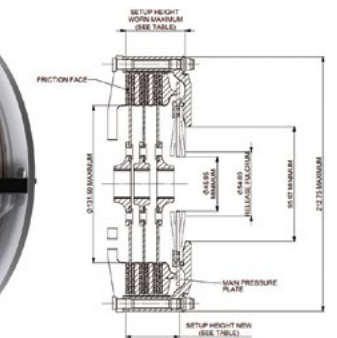


Code	Plate Ø	No. of plates.	Fixing	Torque capacity	Cover
CP7381-NE80-SF	184 mm	1	Stepped flywheels	160 Nm (118 lb/ft)	Aluminium
CP7381-OE80-SF	184 mm	1	Stepped flywheels	259 Nm (191 lb/ft)	Aluminium
CP7381-CE80-SF	184 mm	1	Stepped flywheels	413 Nm (305 lb/ft)	Aluminium



CP7383

184mm 3 plate Cerametallic

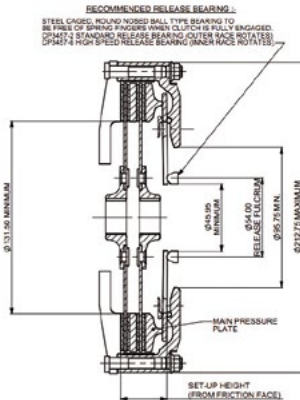


Code	Plate Ø	No. of plates.	Fixing	Torque capacity	Cover
CP7383-CE80-SF	184 mm	3	Stepped flywheels	1257 Nm (926 lb/ft)	Aluminium
CP7383-TE80-SF	184 mm	3	Stepped flywheels	1508 Nm (1111 lb/ft)	Aluminium
CP7383-NE80-SF	184 mm	3	Stepped flywheels	485 Nm (358 lb/ft)	Aluminium
CP7383-OE80-SF	184 mm	3	Stepped flywheels	789 Nm (581 lb/ft)	Aluminium

CERAMETALLIC AP RACING CLUTCH KITS



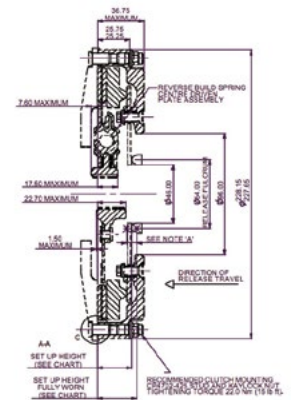
184mm 2 plate Cerametallic



Code	Plate Ø	No. of plates.	Fixing	Torque capacity	Cover
CP7972-NH81-FF	184 mm	2	Flat flywheels	263 Nm (194 lb/ft)	Aluminium
CP7972-OH81-FF	184 mm	2	Flat flywheels	421 Nm (310 lb/ft)	Aluminium
CP7972-CH81-FF	184 mm	2	Flat flywheels	636 Nm (469 lb/ft)	Aluminium
CP7972-CH81-SF	184 mm	2	Stepped flywheels	636 Nm (469 lb/ft)	Aluminium



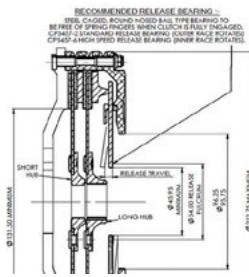
200mm single plate Cerametallic



Code	Plate Ø	No. of plates.	Fixing	Torque capacity	Cover
CP3745AGRY	200 mm	1	Flat flywheels	301 Nm (222 lb/ft)	Aluminium
CP3745ACRV	200 mm	1	Flat flywheels	343 Nm (253 lb/ft)	Aluminium



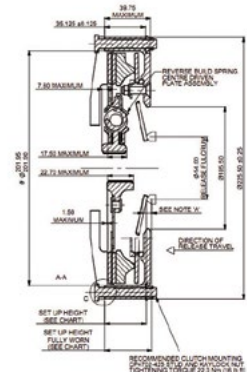
184 mm I-Drive 2 plate Cerametallic



Code	Plate Ø	No. of plates.	Fixing	Torque capacity	Cover
CP8042-CH81-SF	184 mm	2	Stepped flywheels	636Nm	Aluminium



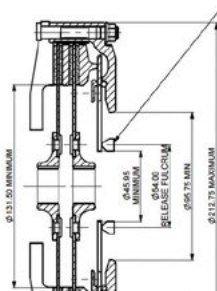
200mm single plate Cerametallic



Code	Plate Ø	No. of plates.	Fixing	Torque capacity	Cover
CP3871AGRY	200 mm	1	Stepped flywheels	420 Nm (310 lb/ft)	Aluminium
CP3871ACRV	200 mm	1	Stepped flywheels	525 Nm (387 lb/ft)	Aluminium



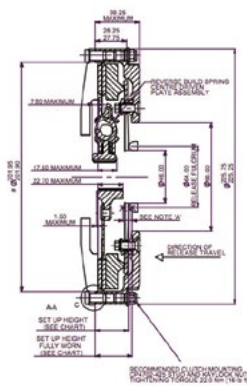
184 mm 2 plate paddle Cerametallic



Code	Plate Ø	No. of plates.	Fixing	Torque capacity	Cover
CP8082-CH81-SF	184 mm	2	Stepped flywheels	636Nm	Aluminium



200mm single plate Cerametallic



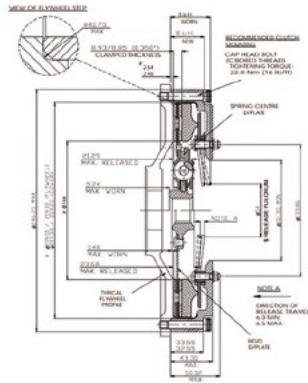
Code	Plate Ø	No. of plates.	Fixing	Torque capacity	Cover
CP4560AGRY	200 mm	1	Stepped flywheels	301 Nm (222 lb/ft)	Aluminium
CP4560ACRV	200 mm	1	Stepped flywheels	343 Nm (253 lb/ft)	Aluminium

CERAMETALLIC AP RACING CLUTCH KITS



CP5241

215mm single plate paddle Cerametallic

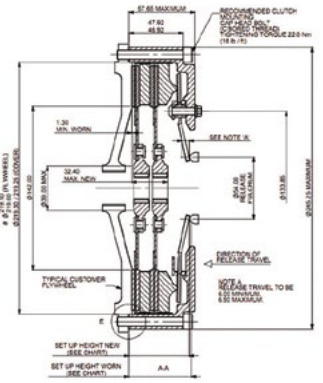


Code	Plate Ø	No. of plates.	Fixing	Torque capacity	Cover
CP5241-3GRY	215 mm	1	Stepped flywheels	425 Nm (314 lb/ft)	Aluminium
CP5241-3CRV	215 mm	1	Stepped flywheels	580 Nm (427 lb/ft)	Aluminium



CP5242

215mm 2 plate paddle Cerametallic



Code	Plate Ø	No. of plates.	Fixing	Torque capacity	Cover
CP5242-2CRV	215 mm	2	Stepped flywheels	842 Nm (621 lb/ft)	Aluminium

AP RACING CLUTCHES SPARE PARTS



Pressure Plates



Code	for clutches
CP2616-103	CP2125
CP3021-101	CP7373
CP3021-102	CP4242
CP3108-103	CP7371
CP3871-111	CP3871
CP4074-104	CP6014
CP4124-103	CP6002
CP4560-101	CP3745
CP5241-5	CP5241
CP5242-10	CP5242
CP6074-125	CP6074
CP7972-105	CP7972
CP8022-105	CP8022
CP8803-102	CP8804



Floater Plates



Code	for clutches
CP2613-103	CP2125
CP3592-106	CP7972
CP4074-103	CP6013
CP5242-11	CP5242
CP4124-102	CP6002
CP6074-124	CP6074
CP8022-102	CP8022
CP8773-103	CP8804



Wear Clips



Code	for clutches
CP3912-102	CP7372
CP3913-103	CP7373
CP4073-123	CP6092
CP4074-129	CP6014
CP4111-102	CP7381
CP4462-104	CP5242
CP5304-104	CP6074
CP6002-102	CP6002
CP7972-104	CP7972

Spare parts for AP Racing clutch kits

Clutch kit	Wear clip	Pressure Plate	Floater Plate
CP2116	-	CP2616-103	-
CP2125	-	CP2616-103	CP2613-103
CP2606	-	CP2616-103	CP2613-103
CP3745	-	CP4560-101	-
CP3871	-	CP3871-111	-
CP4111	-	CP3108-103	-
CP4112	-	CP3021-102	CP3592-106
CP4242	-	CP3021-102	CP3592-106
CP4560	-	CP4560-101	-
CP5241	CP5241-104	CP5241-5	-
CP5242	CP4462-104	CP5242-10	CP5242-11
CP6001	CP6001-102	CP4124-103	-
CP6002	CP6002-102	CP4124-103	CP4124-102
CP6003	CP4073-123	CP4124-103	-
CP6013	CP4073-123	CP4074-104	CP4074-103
CP6014	CP4074-129	CP4074-104	CP4074-103
CP6073	CP5301-102	CP6074-125	CP6074-124
CP6074	CP5304-104	CP6074-125	CP6074-124
CP6092	CP4073-123	CP4074-104	CP6092-102
CP7371	CP4111-102	CP3108-103	-
CP7372	CP3912-102	CP3021-101	CP3592-106
CP7373	CP3913-103	CP3021-101	CP3592-106
CP7381	CP4111-102	CP3108-103	-
CP7382	CP4112-102	CP3021-102	CP3592-106
CP7972	CP7972-104	CP7972-105	CP3592-106
CP8022	-	CP8022-105	CP8022-102
CP8773	CP8493-109	CP8773-102	CP8773-103
CP8804	-	CP8803-102	CP8773-103

AP RACING CLUTCHES SPARE PARTS

DRIVEN PLATE RANGE

The table below provides a quick reference on the range of driven plates relevant to there clutch assemblies

Clutch Series No	Sintered				Bonded / Cerametallic / Paddle			Organic
	Back to Back	Back to Back Extended hub nose	Nested Types	Gear Driven	3 Paddle Rigid	4 Paddle Rigid	6 Paddle Rigid	
CP2116	CP4429 / CP2012							
CP2125	CP4429 / CP2012		CP2567	CP3822				
CP2606					CP8300	CP8400	CP8600	CP5386
CP2817				CP2822				
CP3745						CP5214	CP4814	
CP3871						CP5214	CP4814	
CP3921	Reverse built driven plates					CP5214		
CP4560						CP5214	CP4814	
CP5241						CP5344	CP5346	
CP5242						CP6180		
CP6001		CP3407						
CP6002	CP3414	CP3407		CP4122				
CP6003	CP3414			CP4123				
CP6013	CP3683	CP6014		CP4074				
CP6014	CP3683	CP6014		CP4074				
CP6073	CP5004		CP6074	CP6174				
CP6074	CP5004		CP6074	CP6174				
CP7371	CP4429 / CP2012							
CP7372	CP4429 / CP2012		CP2567	CP3822				
CP7373	CP2012			CP2822				
CP7383					CP8300	CP8400	CP8600	CP5386
CP7381					CP8300	CP8400	CP8600	CP5386
CP7382					CP8300	CP8400	CP8600	CP5386
CP7392					CP8300	CP8400	CP8600	
CP7972			CP8405		CP8301	CP8401	CP8601	
CP8022			CP8405 / CP8172		CP8301	CP8401	CP8601	
CP8732					CP8301	CP8401	CP8601	
CP8742			CP8405 / CP8172		CP8301	CP8401	CP8601	
CP8842			CP8405 / CP8172		CP8301	CP8401	CP8601	
CP8773	CP3683							
CP8804	CP3683							



SINTERED TILTON CLUTCH KITS



OT-III 140 mm

Tilton 140 mm sintered clutch kit (disk excluded) - standard.



Code	Plate Ø	No. of plates	Fixing	Torque capacity	Release load	Cover
67-001HW	140 mm	1	Stepped flywheels	204 Nm (150 lb/ft)	480 lb	Aluminium
67-001HORA	140 mm	1	Stepped flywheels	272 Nm (200 lb/ft)	510 lb	Aluminium
67-001HG	140 mm	1	Stepped flywheels	340 Nm (250 lb/ft)	850 lb	Aluminium
67-002HW	140 mm	2	Stepped flywheels	408 Nm (300 lb/ft)	480 lb	Aluminium
67-002HORA	140 mm	2	Stepped flywheels	544 Nm (400 lb/ft)	510 lb	Aluminium
67-002HG	140 mm	2	Stepped flywheels	680 Nm (500 lb/ft)	850 lb	Aluminium
67-003HG	140 mm	3	Stepped flywheels	1020 Nm (750 lb/ft)	850 lb	Aluminium
67-013HG	140 mm	3	Flat flywheels	1020 Nm (750 lb/ft)	850 lb	Aluminium
67-003HORA	140 mm	3	Stepped flywheels	816 Nm (600 lb/ft)	510 lb	Aluminium
67-013HORA	140 mm	3	Flat flywheels	816 Nm (600 lb/ft)	510 lb	Aluminium
67-004HORA	140 mm	4	Stepped flywheels	1088 Nm (800 lb/ft)	510 lb	Aluminium
67-004HG	140 mm	4	Stepped flywheels	1360 Nm (1000 lb/ft)	850 lb	Aluminium
67-014HG	140 mm	4	Flat flywheels	1360 Nm (1000 lb/ft)	850 lb	Aluminium



OT-III 140 mm HD

Tilton 140 mm sintered clutch kit (disk excluded) - heavy duty.



Code	Plate Ø	No. of plates	Fixing	Torque capacity	Release load	Cover
67-503HORA	140 mm	3	Stepped flywheels	1020 Nm (750 lb/ft)	510 lb	Aluminium
67-513HG	140 mm	3	Flat flywheels	1020 Nm (750 lb/ft)	850 lb	Aluminium
67-503HG	140 mm	3	Stepped flywheels	816 Nm (600 lb/ft)	850 lb	Aluminium
67-513HORA	140 mm	3	Flat flywheels	816 Nm (600 lb/ft)	510 lb	Aluminium
67-504HORA	140 mm	4	Stepped flywheels	1088 Nm (800 lb/ft)	510 lb	Aluminium
67-514HORA	140 mm	4	Flat flywheels	1088 Nm (800 lb/ft)	510 lb	Aluminium
67-504HG	140 mm	4	Stepped flywheels	1360 Nm (1000 lb/ft)	850 lb	Aluminium
67-514HG	140 mm	4	Flat flywheels	1360 Nm (1000 lb/ft)	850 lb	Aluminium



OT-II 184 mm

Tilton 184 mm sintered clutch kit (disk excluded) - standard.



Code	Plate Ø	No. of plates	Fixing	Torque capacity	Release load	Cover
66-001HW	184 mm	1	Stepped flywheels	272 Nm (200 lb/ft)	400 lb	Aluminium
66-001HBF	184 mm	1	Stepped flywheels	326 Nm (240 lb/ft)	480 lb	Aluminium

OT-II 184 mm - follows

Code	Plate Ø	No. of plates	Fixing	Torque capacity	Release load	Cover
66-001UW	184 mm	1	Stepped flywheels	326 Nm (240 lb/ft)	400 lb	Aluminium
66-001HORA	184 mm	1	Stepped flywheels	381 Nm (280 lb/ft)	560 lb	Aluminium
66-001UBF	184 mm	1	Stepped flywheels	388 Nm (285 lb/ft)	480 lb	Aluminium
66-001UORA	184 mm	1	Stepped flywheels	456 Nm (335 lb/ft)	560 lb	Aluminium
66-001HG	184 mm	1	Stepped flywheels	462 Nm (340 lb/ft)	680 lb	Aluminium
66-001HGG	184 mm	1	Stepped flywheels	517 Nm (380 lb/ft)	760 lb	Aluminium
66-001UG	184 mm	1	Stepped flywheels	558 Nm (410 lb/ft)	680 lb	Aluminium
66-001HGGG	184 mm	1	Stepped flywheels	564 Nm (415 lb/ft)	800 lb	Aluminium
66-001UGG	184 mm	1	Stepped flywheels	619 Nm (455 lb/ft)	760 lb	Aluminium
66-002UG	184 mm	2	Stepped flywheels	1115 Nm (820 lb/ft)	680 lb	Aluminium
66-002HGGG	184 mm	2	Stepped flywheels	1129 Nm (830 lb/ft)	800 lb	Aluminium
66-002UGG	184 mm	2	Stepped flywheels	1238 Nm (910 lb/ft)	760 lb	Aluminium
66-002HGG	184 mm	2	Stepped flywheels	517 Nm (380 lb/ft)	760 lb	Aluminium
66-002HW	184 mm	2	Stepped flywheels	544 Nm (400 lb/ft)	400 lb	Aluminium
66-002HBF	184 mm	2	Stepped flywheels	652 Nm (480 lb/ft)	480 lb	Aluminium
66-002HORA	184 mm	2	Stepped flywheels	762 Nm (560 lb/ft)	560 lb	Aluminium
66-012HORA	184 mm	2	Flat flywheels	762 Nm (560 lb/ft)	560 lb	Aluminium
66-002UBF	184 mm	2	Stepped flywheels	775 Nm (570 lb/ft)	480 lb	Aluminium
66-002UORA	184 mm	2	Stepped flywheels	911 Nm (670 lb/ft)	560 lb	Aluminium
66-002HG	184 mm	2	Stepped flywheels	925 Nm (680 lb/ft)	680 lb	Aluminium
66-012HG	184 mm	2	Flat flywheels	925 Nm (680 lb/ft)	680 lb	Aluminium
66-003HORA	184 mm	3	Stepped flywheels	1142 Nm (840 lb/ft)	560 lb	Aluminium
66-013HORA	184 mm	3	Flat flywheels	1142 Nm (840 lb/ft)	560 lb	Aluminium
66-003UBF	184 mm	3	Stepped flywheels	1163 Nm (855 lb/ft)	480 lb	Aluminium
66-003UORA	184 mm	3	Stepped flywheels	1367 Nm (1005 lb/ft)	560 lb	Aluminium
66-003HG	184 mm	3	Stepped flywheels	1387 Nm (1020 lb/ft)	680 lb	Aluminium
66-013HG	184 mm	3	Flat flywheels	1387 Nm (1020 lb/ft)	680 lb	Aluminium
66-003HGG	184 mm	3	Stepped flywheels	1550 Nm (1140 lb/ft)	760 lb	Aluminium
66-003UG	184 mm	3	Stepped flywheels	1673 Nm (1230 lb/ft)	680 lb	Aluminium
66-003HGGG	184 mm	3	Stepped flywheels	1693 Nm (1245 lb/ft)	800 lb	Aluminium
66-003UGG	184 mm	3	Stepped flywheels	1856 Nm (1365 lb/ft)	760 lb	Aluminium
66-003HBF	184 mm	3	Stepped flywheels	979 Nm (720 lb/ft)	480 lb	Aluminium
66-013HBF	184 mm	3	Flat flywheels	979 Nm (720 lb/ft)	480 lb	Aluminium



OT-II 184 mm HD

Tilton 184 mm sintered clutch kit (disk excluded) - heavy duty.



Code	Plate Ø	No. of plates	Fixing	Torque capacity	Release load	Cover
66-503HORA	184 mm	3	Stepped flywheels	1142 Nm (840 lb/ft)	560 lb	Aluminium
66-503HG	184 mm	3	Stepped flywheels	1387 Nm (1020 lb/ft)	680 lb	Aluminium
66-513HG	184 mm	3	Flat flywheels	1387 Nm (1020 lb/ft)	680 lb	Aluminium
66-503HGG	184 mm	3	Stepped flywheels	1550 Nm (1140 lb/ft)	760 lb	Aluminium
66-513HGG	184 mm	3	Flat flywheels	1550 Nm (1140 lb/ft)	760 lb	Aluminium
66-513HGGG	184 mm	3	Stepped flywheels	1693 Nm (1245 lb/ft)	800 lb	Aluminium
66-504HG	184 mm	4	Stepped flywheels	1850 Nm (1360 lb/ft)	680 lb	Aluminium
66-504HGG	184 mm	4	Stepped flywheels	2067 Nm (1520 lb/ft)	760 lb	Aluminium
66-514HGG	184 mm	4	Flat flywheels	2067 Nm (1520 lb/ft)	760 lb	Aluminium
66-504HGGG	184 mm	4	Stepped flywheels	2257 Nm (1660 lb/ft)	800 lb	Aluminium
66-514HGGG	184 mm	4	Flat flywheels	2257 Nm (1660 lb/ft)	800 lb	Aluminium

CERAMETALLIC TILTON CLUTCH KITS



OT-II 184 mm

Tilton 184 mm cerametallic clutch kit (disk excluded).



Code	Plate Ø	No. of plates	Fixing	Torque capacity	Release load	Cover
66-301HW	184 mm	1	Stepped flywheels	272 Nm (200 lb/ft)	400 lb	Aluminium
66-301HBF	184 mm	1	Stepped flywheels	326 Nm (240 lb/ft)	480 lb	Aluminium
66-301UW	184 mm	1	Stepped flywheels	326 Nm (240 lb/ft)	400 lb	Aluminium
66-301HORA	184 mm	1	Stepped flywheels	381 Nm (280 lb/ft)	560 lb	Aluminium
66-301UBF	184 mm	1	Stepped flywheels	388 Nm (285 lb/ft)	480 lb	Aluminium
66-301UORA	184 mm	1	Stepped flywheels	456 Nm (335 lb/ft)	560 lb	Aluminium

Code	Plate Ø	No. of plates	Fixing	Torque capacity	Release load	Cover
66-301HG	184 mm	1	Stepped flywheels	462 Nm (340 lb/ft)	680 lb	Aluminium
66-301HGG	184 mm	1	Stepped flywheels	517 Nm (380 lb/ft)	760 lb	Aluminium
66-301UG	184 mm	1	Stepped flywheels	558 Nm (410 lb/ft)	680 lb	Aluminium
66-301UGG	184 mm	1	Stepped flywheels	619 Nm (455 lb/ft)	760 lb	Aluminium
66-302HGG	184 mm	2	Stepped flywheels	1034 Nm (760 lb/ft)	760 lb	Aluminium
66-312HGG	184 mm	2	Flat flywheels	1034 Nm (760 lb/ft)	760 lb	Aluminium
66-302UG	184 mm	2	Stepped flywheels	1115 Nm (820 lb/ft)	680 lb	Aluminium
66-302HGGG	184 mm	2	Stepped flywheels	1129 Nm (830 lb/ft)	800 lb	Aluminium
66-302UGG	184 mm	2	Stepped flywheels	1238 Nm (910 lb/ft)	760 lb	Aluminium
66-302UW	184 mm	2	Stepped flywheels	544 Nm (400 lb/ft)	400 lb	Aluminium
66-302HBF	184 mm	2	Stepped flywheels	652 Nm (480 lb/ft)	480 lb	Aluminium
66-302UW	184 mm	2	Stepped flywheels	652 Nm (480 lb/ft)	400 lb	Aluminium
66-312HBF	184 mm	2	Flat flywheels	652 Nm (480 lb/ft)	480 lb	Aluminium
66-302HORA	184 mm	2	Stepped flywheels	762 Nm (560 lb/ft)	560 lb	Aluminium
66-312HORA	184 mm	2	Flat flywheels	762 Nm (560 lb/ft)	560 lb	Aluminium
66-302UBF	184 mm	2	Stepped flywheels	775 Nm (570 lb/ft)	480 lb	Aluminium
66-302UORA	184 mm	2	Stepped flywheels	911 Nm (670 lb/ft)	560 lb	Aluminium
66-312UORA	184 mm	2	Flat flywheels	911 Nm (670 lb/ft)	560 lb	Aluminium
66-302HG	184 mm	2	Stepped flywheels	925 Nm (680 lb/ft)	680 lb	Aluminium
66-312HG	184 mm	2	Flat flywheels	925 Nm (680 lb/ft)	680 lb	Aluminium

TILTON CLUTCHES SPARE PARTS



Tilton Pressure Plates



Code	for clutches
66-118HR	66-001HBF, 66-001HG, 66-001HGG, 66-001HGGG, 66-001HORA, 66-002HBF, 66-002HG, 66-002HGG, 66-002HGGG, 66-002HORA, 66-003HBF, 66-003HG, 66-003HGG, 66-003HGGG, 66-003HORA
66-118HR-R	66-301HBF, 66-301HG, 66-301HGG, 66-301HGGG, 66-301HORA, 66-302HBF, 66-302HG, 66-302HGG, 66-302HGGG, 66-302HORA
66-118UHR	66-001UBF, 66-001UG, 66-001UGG, 66-001UORA, 66-002UBF, 66-002UG, 66-002UGG, 66-002UORA, 66-003UBF, 66-003UG, 66-003UGG, 66-003UORA
66-118UHR-R	66-301UBF, 66-301UG, 66-301UGG, 66-301UORA, 66-302UBF, 66-302UG, 66-302UGG, 66-302UORA
66-158HR	66-503HG, 66-503HGG, 66-503HGGG, 66-504HG, 66-504HGG, 66-504HGGG, 66-513HG, 66-513HGG, 66-513HGGG, 66-514HG, 66-514HGG, 66-514HGGG
67-118HR	67-001HG, 67-002HG, 67-003HG, 67-004HG, 67-013HG, 67-014HG
67-158HR	67-503HG, 67-504HG, 67-513HG, 67-514HG, 67-603HG, 67-604HG, 67-613HG, 67-614HG



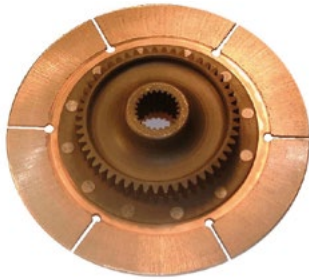
Tilton Floater Plates



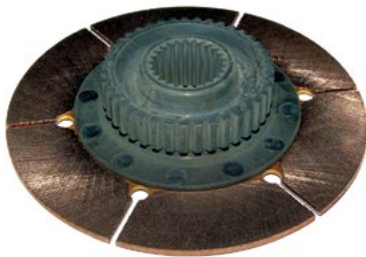
Code	for clutches
66-119	66-001UBF, 66-001UG, 66-001UGG, 66-001UORA, 66-002UBF, 66-002UG, 66-002UGG, 66-002UORA, 66-003UBF, 66-003UG, 66-003UGG, 66-003UORA, 66-503HG, 66-503HGG, 66-503HGGG, 66-504HG, 66-504HGG, 66-504HGGG, 66-513HG, 66-513HGG, 66-513HGGG, 66-514HG, 66-514HGG, 66-514HGGG
67-119	67-001HG, 67-002HG, 67-003HG, 67-004HG, 67-013HG, 67-014HG
67-159	67-503HG, 67-504HG, 67-513HG, 67-514HG, 67-603HG, 67-604HG, 67-613HG, 67-614HG



SINTERED PLATES AP RACING



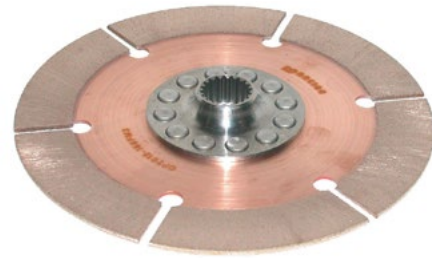
Code	Plate Ø	Type	Spline No.	Spline shaft Ø	Note
CP3822-10FM3	184 mm	2 plate, gear driven	23	1"	-
CP3822-11FM3	184 mm	2 plate, gear driven	20	0,875"	-
CP3822-15FM3	184 mm	2 plate, gear driven	10	29 mm	-
CP3822-17FM3	184 mm	2 plate, gear driven	10	1,125"	-
CP4122-11FM3	140 mm	2 plate, gear driven	21	24 mm	-
CP4122-12FM3	140 mm	2 plate, gear driven	18	21,1 mm	-
CP4122-2FM3	140 mm	2 plate, gear driven	23	1"	-
CP4122-4FM3	140 mm	2 plate, gear driven	20	0,875"	-
CP4122-5FM3	140 mm	2 plate, gear driven	26	1,16"	-
CP4122-6FM3	140 mm	2 plate, gear driven	10	29 mm	-



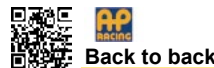
Code	Plate Ø	Type	Spline No.	Spline shaft Ø	Note
CP4073-10FM3	140 mm	3 plate, gear driven	10	1,125"	-
CP4073-3FM3	140 mm	3 plate, gear driven	26	1,16"	-
CP4073-4FM3	140 mm	3 plate, gear driven	23	1"	-
CP4073-5FM3	140 mm	3 plate, gear driven	24	1"	-
CP4073-6FM3	140 mm	3 plate, gear driven	20	0,875"	-
CP4073-7FM3	140 mm	3 plate, gear driven	10	29 mm	-
CP4074-10FM3	140 mm	4 plate, gear driven	20	0,875"	-
CP4074-11FM3	140 mm	4 plate, gear driven	26	1,16"	-
CP4074-12FM3	140 mm	4 plate, gear driven	10	29 mm	-
CP4074-14FM3	140 mm	4 plate, gear driven	10	1,125"	-
CP4074-2FM3	140 mm	4 plate, gear driven	23	1"	-
CP4074-9FM3	140 mm	4 plate, gear driven	24	1"	-



Code	Plate Ø	Type	Spline No.	Spline shaft Ø	Note
CP4074-6FM3	140 mm	Gear drive sliders	-	-	-
CP4124-9FM3	140 mm	Gear drive sliders	-	-	-

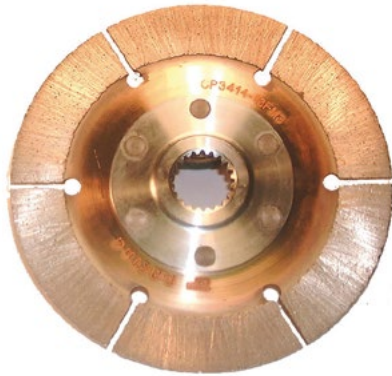


Code	Plate Ø	Type	Spline No.	Spline shaft Ø	Note
CP2012-117FM3	184 mm	Standard	10	1,125"	Raised hub
CP2012-154FM3	184 mm	Standard	24	1"	Raised hub
CP2012-161FM3	184 mm	Standard	21	24 mm	Raised hub
CP2012-164FM3	184 mm	Standard	10	1"	Raised hub
CP2012-165FM3	184 mm	Standard	23	1"	Raised hub
CP2012-166FM3	184 mm	Standard	20	0,875"	Raised hub
CP2012-167FM3	184 mm	Standard	24	0,8"	Raised hub
CP2012-169FM3	184 mm	Standard	10	1,125"	Flat hub
CP2012-171FM3	184 mm	Standard	26	1,16"	Raised hub
CP2012-172FM3	184 mm	Standard	10	1,25"	Flat hub
CP2012-173FM3	184 mm	Standard	26	1,16"	Flat hub
CP2012-174FM3	184 mm	Standard	10	1,25"	Raised hub
CP2012-178FM3	184 mm	Standard	23	1"	Flat hub
CP2012-179FM3	184 mm	Standard	20	0,875"	Flat hub
CP2012-181FM3	184 mm	Standard	10	1,062"	Flat hub
CP2012-184FM3	184 mm	Standard	17	20 mm	Raised hub
CP2012-188FM3	184 mm	Standard	21	0,92"	Raised hub
CP2012-191FM3	184 mm	Standard	21	29 mm	Raised hub
CP2012-192FM3	184 mm	Standard	22	1"	Raised hub
CP2012-198FM3	184 mm	Standard	10	1,062"	Raised hub
CP2012-199FM3	184 mm	Standard	10	29 mm	Raised hub
CP2012-204FM3	184 mm	Standard	21	18,3 mm	Raised hub
CP2012-205FM3	184 mm	Standard	18	21,1 mm	Raised hub
CP2012-208FM3	184 mm	Standard	10	0,875"	Raised hub
CP2012-210FM3	184 mm	Standard	24	1"	Flat hub
CP2012-216FM3	184 mm	Standard	26	22 mm	Raised hub
CP2012-220FM3	184 mm	Standard	22	1"	Flat hub
CP2012-240FM3	184 mm	Standard	21	29 mm	Flat hub
CP2012-244FM3	184 mm	Standard	10	29 mm	Flat hub

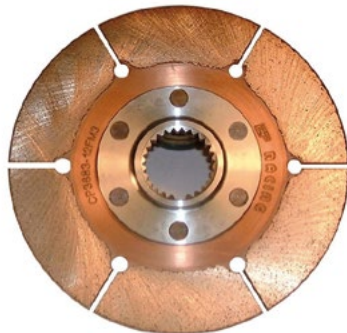


Code	Plate Ø	Type	Spline No.	Spline shaft Ø	Note
CP3407-26FM3	140 mm	Extended hub	20	0,875"	-
CP3407-36FM3	140 mm	Extended hub	23	1"	-
CP3407-37FM3	140 mm	Extended hub	10	0,875"	-
CP3407-40FM3	140 mm	Extended hub	26	1,16"	-
CP3407-4FM3	140 mm	Extended hub	10	1,125"	-
CP3407-51FM3	140 mm	Extended hub	24	0,8"	-
CP3407-56FM3	140 mm	Extended hub	26	22 mm	-
CP3407-8FM3	140 mm	Extended hub	10	29 mm	-

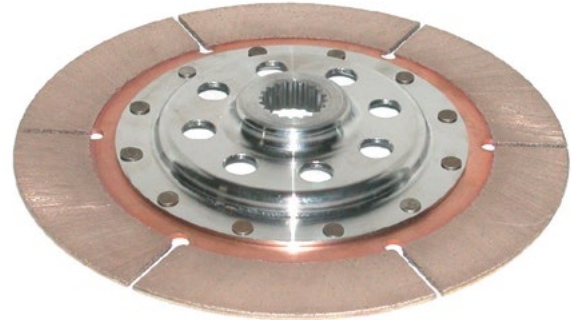
SINTERED PLATES AP RACING



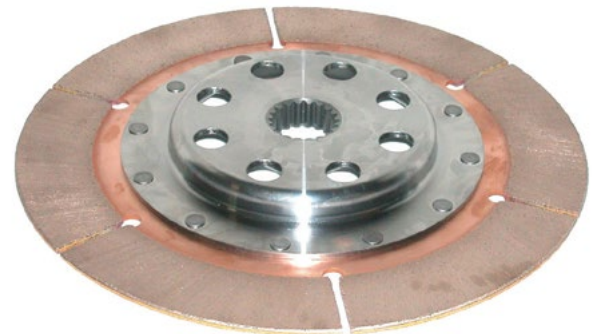
Code	Plate Ø	Type	Spline No.	Spline shaft Ø	Note
CP3414-10FM3	140 mm	Standard	23	1"	-
CP3414-18FM3	140 mm	Standard	20	0,875"	-
CP3414-19FM3	140 mm	Standard	26	1,16"	-
CP3414-20FM3	140 mm	Standard	10	1,125"	-
CP3414-21FM3	140 mm	Standard	21	24 mm	-
CP3414-25FM3	140 mm	Standard	10	29 mm	-
CP3414-27FM3	140 mm	Standard	21	29 mm	-
CP3414-30FM3	140 mm	Standard	10	0,875"	-
CP3414-32FM3	140 mm	Standard	24	1"	-
CP3414-35FM3	140 mm	Extended hub	20	0,875"	-
CP3414-36FM3	140 mm	Standard	18	21,1 mm	-
CP3414-37FM3	140 mm	Standard	10	1,25"	-
CP3414-40FM3	140 mm	Standard	22	1"	-
CP3414-43FM3	140 mm	Standard	17	20 mm	-
CP3414-45FM3	140 mm	Standard	21	0,92"	-
CP3414-50FM3	140 mm	Standard	26	22 mm	-



Code	Plate Ø	Type	Spline No.	Spline shaft Ø	Note
CP3683-12FM3	140 mm	Large area	26	1,16"	-
CP3683-13FM3	140 mm	Large area	10	29 mm	-
CP3683-3FM3	140 mm	Large area	23	1"	-
CP3683-4FM3	140 mm	Large area	20	0,875"	-
CP3683-5FM3	140 mm	Large area	10	1,125"	-
CP3683-6FM3	140 mm	Large area	21	24 mm	-



Code	Plate Ø	Type	Spline No.	Spline shaft Ø	Note
CP2567-12FM3	184 mm	P/Plate side	26	1,16"	-
CP2567-16FM3	184 mm	P/Plate side	10	1,125"	-
CP2567-24FM3	184 mm	P/Plate side	23	1"	-
CP2567-30FM3	184 mm	P/Plate side	10	29 mm	-
CP2567-34FM3	184 mm	P/Plate side	21	24 mm	-
CP2567-36FM3	184 mm	P/Plate side	10	1"	-
CP2567-8FM3-L	184 mm	P/Plate side	20	0,875"	-



Code	Plate Ø	Type	Spline No.	Spline shaft Ø	Note
CP2567-11FM3	184 mm	F/Weel side	26	1,16"	-
CP2567-15FM3	184 mm	F/Weel side	10	1,125"	-
CP2567-23FM3	184 mm	F/Weel side	23	1"	-
CP2567-29FM3	184 mm	F/Weel side	10	29 mm	-
CP2567-33FM3	184 mm	F/Weel side	21	24 mm	-
CP2567-35FM3	184 mm	F/Weel side	10	1"	-
CP2567-7FM3-L	184 mm	F/Weel side	20	0,875"	-



BONDED CERAMETALLIC PLATES AP RACING



Bonded Cerametallic Plates AP Racing



Code	Plate Ø	Type	Spline No.	Spline shaft Ø	Note
CP4429-10FM4	184 mm	4 paddle, 2,6 mm thickness	22	1"	-
CP4429-11FM4	184 mm	4 paddle, 2,6 mm thickness	18	21,1 mm	-
CP4429-3FM4	184 mm	4 paddle, 2,6 mm thickness	20	0,875"	-
CP4429-4FM4	184 mm	4 paddle, 2,6 mm thickness	23	1"	-
CP4429-5FM4	184 mm	4 paddle, 2,6 mm thickness	10	29,0 mm	-

Bonded Cerametallic driven plate numbering explanation

CP8300 - A 036 H

Family part number	Hub profile	Spline details	Hub treatment
ex: CP8300 3 paddle, 7.11 mm thick	A = Standard	001 0.87" x 10	H = Hardened
ex: CP8301 3 paddle, 6.00 mm thick	G = Shorted Nose	026" 0.87" x 20	



Bonded Cerametallic Plates AP Racing



Code	Plate Ø	Type	Spline No.	Spline shaft Ø	Note
CP8300-A001	184 mm	3 paddle, 7,1 mm thickness	10	0,875"	-
CP8300-A002	184 mm	3 paddle, 7,1 mm thickness	10	1"	-
CP8300-A003	184 mm	3 paddle, 7,1 mm thickness	10	1,062"	-
CP8300-A004	184 mm	3 paddle, 7,1 mm thickness	10	1,125"	-
CP8300-A008	184 mm	3 paddle, 7,1 mm thickness	10	29,0 mm	-
CP8300-A017	184 mm	3 paddle, 7,1 mm thickness	17	20,0 mm	-
CP8300-A019	184 mm	3 paddle, 7,1 mm thickness	18	21,1 mm	-
CP8300-A026	184 mm	3 paddle, 7,1 mm thickness	20	0,875"	-
CP8300-A028	184 mm	3 paddle, 7,1 mm thickness	21	18,3 mm	-
CP8300-A029	184 mm	3 paddle, 7,1 mm thickness	21	0,92"	-
CP8300-A030	184 mm	3 paddle, 7,1 mm thickness	21	24,0 mm	-
CP8300-A033	184 mm	3 paddle, 7,1 mm thickness	21	29,0 mm	-
CP8300-A034	184 mm	3 paddle, 7,1 mm thickness	22	1"	-
CP8300-A036H	184 mm	3 paddle, 7,1 mm thickness	23	1"	-
CP8300-A040	184 mm	3 paddle, 7,1 mm thickness	26	1,16"	-
CP8300-A043	184 mm	3 paddle, 7,1 mm thickness	26	22,0 mm	-



Bonded Cerametallic Plates AP Racing



Code	Plate Ø	Type	Spline No.	Spline shaft Ø	Note
CP4581-3	140 mm	3 paddle	26	1,16"	-
CP4581-4	140 mm	3 paddle	23	1"	-
CP4581-5	140 mm	3 paddle	20	0,875"	-
CP4581-8	140 mm	3 paddle	21	24,0 mm	-
CP4581-9	140 mm	3 paddle	18	21,1 mm	-



Bonded Cerametallic Plates AP Racing



Bonded Cerametallic Plates AP Racing



Code	Plate Ø	Type	Spline No.	Spline shaft Ø	Note
CP8600-A004	184 mm	6 paddle, 7,1 mm thickness	10	1,125"	-
CP8600-A008	184 mm	6 paddle, 7,1 mm thickness	10	29,0 mm	-
CP8600-A019	184 mm	6 paddle, 7,1 mm thickness	18	21,1 mm	-
CP8600-A026	184 mm	6 paddle, 7,1 mm thickness	20	0,875"	-
CP8600-A036H	184 mm	6 paddle, 7,1 mm thickness	23	1"	-
CP8600-A038H	184 mm	6 paddle, 7,1 mm thickness	24	1"	-
CP8600-A040	184 mm	6 paddle, 7,1 mm thickness	26	1,16"	-
CP8601-A036H	184 mm	6 paddle, 6,0 mm thickness	23	1"	-
CP8601-G036H	184 mm	6 paddle, 6,0 mm thickness	23	1"	Short hub

Code	Plate Ø	Type	Spline No.	Spline shaft Ø	Note
CP8400-A001	184 mm	4 paddle, 7,1 mm thickness	10	0,875"	-
CP8400-A004	184 mm	4 paddle, 7,1 mm thickness	10	1,125"	-
CP8400-A008	184 mm	4 paddle, 7,1 mm thickness	10	29,0 mm	-
CP8400-A017	184 mm	4 paddle, 7,1 mm thickness	17	20,0 mm	-
CP8400-A019	184 mm	4 paddle, 7,1 mm thickness	18	21,1 mm	-
CP8400-A026	184 mm	4 paddle, 7,1 mm thickness	20	0,875"	-
CP8400-A030	184 mm	4 paddle, 7,1 mm thickness	21	24,0 mm	-
CP8400-A036H	184 mm	4 paddle, 7,1 mm thickness	23	1"	-
CP8400-A038H	184 mm	4 paddle, 7,1 mm thickness	24	1"	-
CP8400-A040	184 mm	4 paddle, 7,1 mm thickness	26	1,16"	-
CP8401-A036H	184 mm	4 paddle, 6,0 mm thickness	23	1"	-
CP8401-G036H	184 mm	4 paddle, 6,0 mm thickness	23	1"	Short hub

CERAMETALLIC RIVETED PLATES AP RACING



Cerametallic Riveted Plates AP Racing



Code	Plate Ø	Type	Spline No.	Spline shaft Ø
CP3219-1	184 mm	4 paddle, 7,1 mm thickness	23	1"
CP3219-3	184 mm	4 paddle, 7,1 mm thickness	20	0,875"
CP3219-30	184 mm	4 paddle, 7,1 mm thickness	26	1,16"
CP3219-35	184 mm	4 paddle, 7,1 mm thickness	21	24,0 mm
CP3219-42	184 mm	4 paddle, 7,1 mm thickness	10	0,875"
CP3219-5	184 mm	4 paddle, 7,1 mm thickness	18	21,1 mm
CP3219-9	184 mm	4 paddle, 7,1 mm thickness	10	29,0 mm



Cerametallic Riveted Plates AP Racing



Code	Plate Ø	Type	Spline No.	Spline shaft Ø
CP5344-10	215 mm	4 paddle rigid, 8,9 mm	10	29,0 mm
CP5344-30	215 mm	4 paddle rigid, 8,9 mm	22	1"



Cerametallic Riveted Plates AP Racing



Code	Plate Ø	Type	Spline No.	Spline shaft Ø
CP5346-11	215 mm	6 paddle rigid, 8,9 mm	17	20,0 mm
CP5346-12	215 mm	6 paddle rigid, 8,9 mm	23	1"
CP5346-15	215 mm	6 paddle rigid, 8,9 mm	20	1,16"
CP5346-4	215 mm	6 paddle rigid, 8,9 mm	21	24,0 mm
CP5346-6	215 mm	6 paddle rigid, 8,9 mm	20	0,875"
CP5346-8	215 mm	6 paddle rigid, 8,9 mm	22	1"



Cerametallic Riveted Plates AP Racing



Code	Plate Ø	Type	Spline No.	Spline shaft Ø
CP4946-12	184 mm	6 paddle rigid, 7,1 mm	10	29,0 mm
CP4946-2	184 mm	6 paddle rigid, 7,1 mm	18	21,1 mm
CP4946-6	184 mm	6 paddle rigid, 7,1 mm	20	0,875"
CP4946-7	184 mm	6 paddle rigid, 7,1 mm	23	1"
CP4946-9	184 mm	6 paddle rigid, 7,1 mm	26	1,16"



Cerametallic Riveted Plates AP Racing



Code	Plate Ø	Type	Spline No.	Spline shaft Ø
CP5216-11	200 mm	6 paddle rigid, 7,1 mm	22	1"
CP5216-13	200 mm	6 paddle rigid, 7,1 mm	24	1"
CP5216-14	200 mm	6 paddle rigid, 7,1 mm	20	0,875"
CP5216-15	200 mm	6 paddle rigid, 7,1 mm	23	1"
CP5216-19	200 mm	6 paddle rigid, 8,9 mm	23	1"
CP5216-20	200 mm	6 paddle rigid, 8,9 mm	20	0,875"
CP5216-21	200 mm	6 paddle rigid, 8,9 mm	26	1,16"
CP5216-22	200 mm	6 paddle rigid, 7,1 mm	10	1,125"



Cerametallic Riveted Plates AP Racing



Code	Plate Ø	Type	Spline No.	Spline shaft Ø
CP5214-12	200 mm	4 paddle rigid, 7,1 mm	23	1"
CP5214-13	200 mm	4 paddle rigid, 7,1 mm	24	1"
CP5214-14	200 mm	4 paddle rigid, 7,1 mm	20	0,875"
CP5214-15	200 mm	4 paddle rigid, 7,1 mm	24	0,8"
CP5214-16	200 mm	4 paddle rigid, 7,1 mm	21	29,0 mm
CP5214-18	200 mm	4 paddle rigid, 7,1 mm	18	21,1 mm
CP5214-25	200 mm	4 paddle rigid, 8,9 mm	21	0,92"



Cerametallic Riveted Plates AP Racing



Code	Plate Ø	Type	Spline No.	Spline shaft Ø
CP6180-1	215 mm	4 paddle rigid, 7,1 mm	10	1,062"
CP6180-2	215 mm	4 paddle rigid, 7,1 mm	23	1"
CP6180-3	215 mm	4 paddle rigid, 7,1 mm	24	1"
CP6180-4	215 mm	4 paddle rigid, 7,1 mm	26	1,16"
CP6180-5	215 mm	4 paddle rigid, 7,1 mm	10	1,125"

SINTERED PLATES TILTON FULL CIRCLE

Tilton part number system

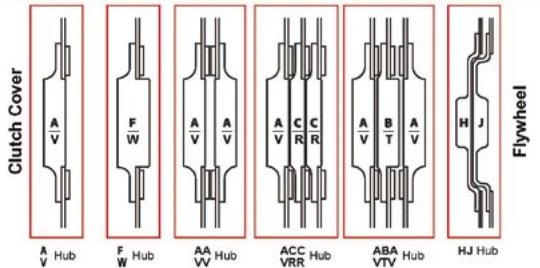
64185-2-ABA-36



Disc Diameter:	Friction Material Type:	Hub Type:
140 = 140mm (5.5")	2 = 7.25" sintered metallic full-circle disc (6-rivet hub)	A = Outer hub, 6-rivet, .375" thick
185 = 185mm (7.25")	3 = 5.5" & 7.25" sintered metallic paddle-type disc	B = Inner hub, 6-rivet, .375" thick
	4 = 7.25" sintered metallic full circle disc (8-rivet hub)	C = Inner hub, rivet, .250" thick
	8 = 7.25" cermetalic paddle-type disc	F = Long hub, 6-rivet, .550" thick (1-disc clutches only)
	9 = 5.5" sintered metallic full-circle disc	H = Outer hub, nested 12-rivet
		J = Inner hub, nested, 12-rivet
		R = Inner hub, 8-rivet, .250" thick
		T = Inner hub, 8-rivet, .375" thick
		V = Outer hub, 8-rivet, .375" thick
		W = Long hub, 8-rivet, .550" thick (1-disc clutches only)

Spline Size (# teeth x diameter)		
03 = 10 x 7/8"	18 = 18 x 25/32"	36 = 24 x 1" x 30"
04 = 10 x 1"	19 = 18 x 1 1/4"	38 = 24 x 26mm
05 = 10 x 1 1/8"	25 = 20 x 7/8"	39 = 28 x 7/8"
06 = 10 x 1 1/4"	26 = 21 x 29/32"	41 = 23 x 24mm x 25"
07 = 10 x 1 1/2"	27 = 21 x 24mm	42 = 22 x 15/16"
08 = 10 x 1 3/4"	28 = 21 x 29mm	47 = 24 x 15/16"
10 = 10 x 20mm	29 = 22 x 1"	51 = 22 x 20.4mm
12 = 14 x 25mm	30 = 23 x 1" x 30"	52 = 10 x 35mm
14 = 14 x 30.8"	32 = 24 x 13/16"	55 = 26 x 35mm
17 = 18 x 21mm	33 = 24 x 1" x 27.5"	58 = 29 x 1 1/4"

Hub Configuration:



Code	Plate Ø	Spline No.	Type	Spline shaft Ø	Plates in pack	Note
64140-9-A-03	140 mm	10	6-rivet	7/8"	1	-
64140-9-A-08	140 mm	10	6-rivet	1 3/8"	1	-
64140-9-A-19	140 mm	18	6-rivet	1 3/16"	1	-
64140-9-A-26	140 mm	21	6-rivet	29/32"	1	-
64140-9-A-29	140 mm	22	6-rivet	1"	1	-
64140-9-A-33	140 mm	24	6-rivet	1"	1	early Nissan
64140-9-A-38	140 mm	24	6-rivet	26 mm	1	-
64140-9-A-42	140 mm	22	6-rivet	15/16"	1	-
64140-9-A-51	140 mm	22	6-rivet	29,4 mm	1	-
64140-9-A-52	140 mm	10	6-rivet	35 mm	1	-
64140-9-AA-03	140 mm	10	6-rivet	7/8"	2	-
64140-9-AA-04	140 mm	10	6-rivet	1"	2	-
64140-9-AA-06	140 mm	10	6-rivet	1 1/8"	2	-
64140-9-AA-08	140 mm	10	6-rivet	1 3/8"	2	-
64140-9-AA-10	140 mm	10	6-rivet	29 mm	2	-
64140-9-AA-17	140 mm	18	6-rivet	21 mm	2	-
64140-9-AA-19	140 mm	18	6-rivet	1 3/16"	2	-
64140-9-AA-25	140 mm	20	6-rivet	7/8"	2	-
64140-9-AA-26	140 mm	21	6-rivet	29/32"	2	-
64140-9-AA-29	140 mm	22	6-rivet	1"	2	-
64140-9-AA-30	140 mm	23	6-rivet	1"	2	30°
64140-9-AA-32	140 mm	24	6-rivet	13/16"	2	-
64140-9-AA-33	140 mm	24	6-rivet	1"	2	early Nissan
64140-9-AA-36	140 mm	26	6-rivet	1 5/32"	2	-

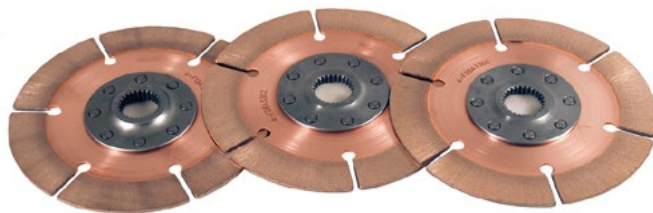
Back to Back - follows

Code	Plate Ø	Spline No.	Type	Spline shaft Ø	Plates in pack	Note
64140-9-AA-38	140 mm	24	6-rivet	26 mm	2	-
64140-9-AA-39	140 mm	28	6-rivet	7/8"	2	-
64140-9-AA-42	140 mm	22	6-rivet	15/16"	2	-
64140-9-AA-51	140 mm	22	6-rivet	29,4 mm	2	-
64140-9-AA-52	140 mm	10	6-rivet	35 mm	2	-
64140-9-AA-55	140 mm	26	6-rivet	35 mm	2	-
64140-9-AA-58	140 mm	29	6-rivet	1 1/4"	2	-
64140-9-ABA-04	140 mm	10	6-rivet	1"	3	-
64140-9-ABA-06	140 mm	10	6-rivet	1 1/8"	3	-
64140-9-ABA-07	140 mm	10	6-rivet	1 1/4"	3	-
64140-9-ABA-08	140 mm	10	6-rivet	1 3/8"	3	-
64140-9-ABA-10	140 mm	10	6-rivet	29 mm	3	-
64140-9-ABA-14	140 mm	14	6-rivet	30,8 mm	3	-
64140-9-ABA-19	140 mm	18	6-rivet	1 3/16"	3	-
64140-9-ABA-25	140 mm	20	6-rivet	7/8"	3	-
64140-9-ABA-26	140 mm	21	6-rivet	29/32"	3	-
64140-9-ABA-30	140 mm	23	6-rivet	1"	3	30°
64140-9-ABA-33	140 mm	24	6-rivet	1"	3	early Nissan
64140-9-ABA-36	140 mm	26	6-rivet	1 5/32"	3	-
64140-9-ABA-52	140 mm	10	6-rivet	35 mm	3	-
64140-9-ABA-57	140 mm	24	6-rivet	1"	3	late Nissan
64140-9-ABA-58	140 mm	29	6-rivet	1 1/4"	3	-
64140-9-F-04	140 mm	10	6-rivet	1"	1	-
64140-9-F-06	140 mm	10	6-rivet	1 1/8"	1	-
64140-9-F-10	140 mm	10	6-rivet	29 mm	1	-
64140-9-F-17	140 mm	18	6-rivet	21 mm	1	-
64140-9-F-25	140 mm	20	6-rivet	7/8"	1	-
64140-9-F-30	140 mm	23	6-rivet	1"	1	30°
64140-9-F-32	140 mm	24	6-rivet	13/16"	1	-
64140-9-F-36	140 mm	26	6-rivet	1 5/32"	1	-
64185-2-A-03	184 mm	10	6-rivet	7/8"	1	-
64185-2-A-08	184 mm	10	6-rivet	1 3/8"	1	-
64185-2-A-12	184 mm	14	6-rivet	25 mm	1	-
64185-2-A-14	184 mm	14	6-rivet	30,8 mm	1	-
64185-2-A-19	184 mm	18	6-rivet	1 3/16"	1	-
64185-2-A-26	184 mm	21	6-rivet	29/32"	1	-
64185-2-A-27	184 mm	21	6-rivet	24 mm	1	-
64185-2-A-28	184 mm	21	6-rivet	29 mm	1	-
64185-2-A-29	184 mm	22	6-rivet	1"	1	-
64185-2-A-33	184 mm	24	6-rivet	1"	1	early Nissan
64185-2-A-38	184 mm	24	6-rivet	26 mm	1	-
64185-2-A-41	184 mm	23	6-rivet	24 mm	1	25°
64185-2-A-42	184 mm	22	6-rivet	15/16"	1	-
64185-2-A-51	184 mm	22	6-rivet	29,4 mm	1	-
64185-2-A-52	184 mm	10	6-rivet	35 mm	1	-
64185-2-A-57	184 mm	24	6-rivet	1"	1	late Nissan
64185-2-AA-03	184 mm	10	6-rivet	7/8"	2	-
64185-2-AA-04	184 mm	10	6-rivet	1"	2	-
64185-2-AA-06	184 mm	10	6-rivet	1 1/8"	2	-
64185-2-AA-07	184 mm	10	6-rivet	1 1/4"	2	-
64185-2-AA-08	184 mm	10	6-rivet	1 3/8"	2	-
64185-2-AA-10	184 mm	10	6-rivet	29 mm	2	-
64185-2-AA-12	184 mm	14	6-rivet	25 mm	2	-
64185-2-AA-14	184 mm	14	6-rivet	30,8 mm	2	-
64185-2-AA-17	184 mm	18	6-rivet	21 mm	2	-
64185-2-AA-19	184 mm	18	6-rivet	1 3/16"	2	-
64185-2-AA-25	184 mm	20	6-rivet	7/8"	2	-
64185-2-AA-26	184 mm	21	6-rivet	29/32"	2	-
64185-2-AA-28	184 mm	21	6-rivet	29 mm	2	-
64185-2-AA-29	184 mm	22	6-rivet	1"	2	-
64185-2-AA-30	184 mm	23	6-rivet	1"	2	30°
64185-2-AA-32	184 mm	24	6-rivet	13/16"	2	-
64185-2-AA-33	184 mm	24	6-rivet	1"	2	early Nissan
64185-2-AA-36	184 mm	26	6-rivet	1 5/32"	2	-
64185-2-AA-38	184 mm	24	6-rivet	26 mm	2	-

SINTERED PLATES TILTON FULL CIRCLE

Back to Back - follows

Code	Plate Ø	Spline No.	Type	Spline shaft Ø	Plates in pack	Note
64185-2-AA-39	184 mm	28	6-rivet	7/8"	2	-
64185-2-AA-41	184 mm	23	6-rivet	24 mm	2	25°
64185-2-AA-42	184 mm	22	6-rivet	15/16"	2	-
64185-2-AA-47	184 mm	24	6-rivet	15/16"	2	-
64185-2-AA-51	184 mm	22	6-rivet	29,4 mm	2	-
64185-2-AA-52	184 mm	10	6-rivet	35 mm	2	-
64185-2-AA-55	184 mm	26	6-rivet	35 mm	2	-
64185-2-AA-58	184 mm	29	6-rivet	1 1/4"	2	-
64185-2-ABA-04	184 mm	10	6-rivet	1"	3	-
64185-2-ABA-06	184 mm	10	6-rivet	1 1/8"	3	-
64185-2-ABA-07	184 mm	10	6-rivet	1 1/4"	3	-
64185-2-ABA-08	184 mm	10	6-rivet	1 3/8"	3	-
64185-2-ABA-10	184 mm	10	6-rivet	29 mm	3	-
64185-2-ABA-19	184 mm	18	6-rivet	1 3/16"	3	-
64185-2-ABA-25	184 mm	20	6-rivet	7/8"	3	-
64185-2-ABA-26	184 mm	21	6-rivet	29/32"	3	-
64185-2-ABA-27	184 mm	21	6-rivet	24 mm	3	-
64185-2-ABA-28	184 mm	21	6-rivet	29 mm	3	-
64185-2-ABA-29	184 mm	22	6-rivet	1"	3	-
64185-2-ABA-30	184 mm	23	6-rivet	1"	3	30°
64185-2-ABA-33	184 mm	24	6-rivet	1"	3	early Nissan
64185-2-ABA-36	184 mm	26	6-rivet	1 5/32"	3	-
64185-2-ABA-41	184 mm	23	6-rivet	24 mm	3	25°
64185-2-ABA-47	184 mm	24	6-rivet	15/16"	3	-
64185-2-ABA-51	184 mm	22	6-rivet	29,4 mm	3	-
64185-2-ABA-52	184 mm	10	6-rivet	35 mm	3	-
64185-2-ABA-55	184 mm	26	6-rivet	35 mm	3	-
64185-2-ABA-57	184 mm	24	6-rivet	1"	3	late Nissan
64185-2-ABA-58	184 mm	29	6-rivet	1 1/4"	3	-
64185-2-F-04	184 mm	10	6-rivet	1"	1	-
64185-2-F-06	184 mm	10	6-rivet	1 1/8"	1	-
64185-2-F-10	184 mm	10	6-rivet	29 mm	1	-
64185-2-F-17	184 mm	18	6-rivet	21 mm	1	-
64185-2-F-25	184 mm	20	6-rivet	7/8"	1	-
64185-2-F-27	184 mm	21	6-rivet	24 mm	1	-
64185-2-F-30	184 mm	23	6-rivet	1"	1	30°
64185-2-F-32	184 mm	24	6-rivet	13/16"	1	-
64185-2-F-36	184 mm	26	6-rivet	1 5/32"	1	-
64185-4-V-36	184 mm	26	8-rivet	1 5/32"	1	-
64185-4-VTV-10	184 mm	10	8-rivet	29 mm	3	-
64185-4-VTV-30	184 mm	23	8-rivet	1"	3	30°
64185-4-VTV-36	184 mm	26	8-rivet	1 5/32"	3	-
64185-4-VTV-58	184 mm	29	8-rivet	1 1/4"	3	-
64185-4-VV-10	184 mm	10	8-rivet	29 mm	2	-
64185-4-VV-30	184 mm	23	8-rivet	1"	2	30°
64185-4-VV-36	184 mm	26	8-rivet	1 5/32"	2	-



Code	Plate Ø	Spline No.	Type	Spline shaft Ø	Plates in pack	Note
64140-9-A-18	140 mm	18	6-rivet	25/32"	1	-
64140-9-AC-05	140 mm	10	6-rivet	1 1/16"	2	-
64140-9-AC-10	140 mm	10	6-rivet	29 mm	2	-
64140-9-AC-25	140 mm	20	6-rivet	7/8"	2	-
64140-9-AC-26	140 mm	21	6-rivet	29/32"	2	-
64140-9-AC-30	140 mm	23	6-rivet	1"	2	30°
64140-9-AC-32	140 mm	24	6-rivet	13/16"	2	-
64140-9-AC-36	140 mm	26	6-rivet	1 5/32"	2	-
64140-9-ACC-05	140 mm	10	6-rivet	1 1/16"	3	-
64140-9-ACC-10	140 mm	10	6-rivet	29 mm	3	-
64140-9-ACC-25	140 mm	20	6-rivet	7/8"	3	-
64140-9-ACC-30	140 mm	23	6-rivet	1"	3	30°
64140-9-ACC-36	140 mm	26	6-rivet	1 5/32"	3	-
64140-9-ACC-41	140 mm	23	6-rivet	24 mm	3	25°
64140-9-ACCC-30	140 mm	23	6-rivet	1"	4	30°
64140-9-ACCC-36	140 mm	26	6-rivet	1 5/32"	4	-
64185-2-A-35	184 mm	26	6-rivet	22 mm	1	-
64185-2-AC-05	184 mm	10	6-rivet	1 1/16"	2	-
64185-2-AC-10	184 mm	10	6-rivet	29 mm	2	-
64185-2-AC-18	184 mm	8	6-rivet	25/32"	2	-
64185-2-AC-25	184 mm	20	6-rivet	7/8"	2	-
64185-2-AC-26	184 mm	21	6-rivet	29/32"	2	-
64185-2-AC-30	184 mm	23	6-rivet	1"	2	30°
64185-2-AC-32	184 mm	24	6-rivet	13/16"	2	-
64185-2-AC-35	184 mm	26	6-rivet	22 mm	2	-
64185-2-AC-36	184 mm	26	6-rivet	1 5/32"	2	-
64185-2-AC-41	184 mm	23	6-rivet	24 mm	2	25°
64185-2-AC-57	184 mm	24	6-rivet	1"	2	late Nissan
64185-2-ACC-05	184 mm	10	6-rivet	1 1/16"	3	-
64185-2-ACC-10	184 mm	10	6-rivet	29 mm	3	-
64185-2-ACC-25	184 mm	20	6-rivet	7/8"	3	-
64185-2-ACC-30	184 mm	23	6-rivet	1"	3	30°
64185-2-ACC-32	184 mm	24	6-rivet	13/16"	3	-
64185-2-ACC-36	184 mm	26	6-rivet	1 5/32"	3	-
64185-2-ACC-41	184 mm	23	6-rivet	24 mm	3	25°
64185-2-ACC-52	184 mm	10	6-rivet	35 mm	3	-
64185-2-ACC-57	184 mm	24	6-rivet	1"	2	late Nissan
64185-2-F-05	184 mm	10	6-rivet	1 1/16"	1	-
64185-4-VR-30	184 mm	23	8-rivet	1"	2	30°
64185-4-VRR-10	184 mm	10	8-rivet	29 mm	3	-
64185-4-VRR-30	184 mm	23	8-rivet	1"	3	30°
64185-4-VRR-36	184 mm	26	8-rivet	1 5/32"	3	-
64185-4-VRR-41	184 mm	23	8-rivet	24 mm	3	25°
64185-4-VRRR-36	184 mm	26	8-rivet	1 5/32"	4	-
64185-4-VRRR-46	184 mm	29	8-rivet	1 1/4"	4	-



Code	Plate Ø	Spline No.	Type	Spline shaft Ø	Plates in pack	Note
64185-2-H-25	184 mm	20	12-rivet	7/8"	1	-
64185-2-H-30	184 mm	23	12-rivet	1"	1	30°
64185-2-HJ-25	184 mm	20	12-rivet	7/8"	2	-
64185-2-HJ-30	184 mm	23	12-rivet	1"	2	30°

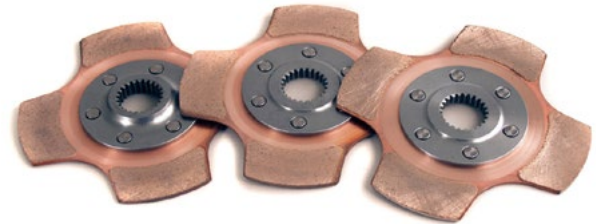
SINTERED PLATES TILTON 4 PADDLE



Code	Plate Ø	Spline No.	Type	Spline shaft Ø	Plates in pack	Note
64140-3-A-52	140 mm	10	6-rivet	35 mm	1	-
64140-3-AA-08	140 mm	10	6-rivet	1 3/8"	2	-
64140-3-AA-10	140 mm	10	6-rivet	29 mm	2	-
64140-3-AA-25	140 mm	20	6-rivet	7/8"	2	-
64140-3-AA-28	140 mm	21	6-rivet	29 mm	2	-
64140-3-AA-30	140 mm	23	6-rivet	1"	2	30°
64140-3-AA-33	140 mm	24	6-rivet	1"	2	early Nissan
64140-3-AA-36	140 mm	26	6-rivet	1 5/32"	2	-
64140-3-AA-42	140 mm	22	6-rivet	15/16"	2	-
64140-3-AA-47	140 mm	24	6-rivet	15/16"	2	-
64140-3-AA-51	140 mm	22	6-rivet	29,4 mm	2	-
64140-3-AA-52	140 mm	10	6-rivet	35 mm	2	-
64140-3-ABA-10	140 mm	10	6-rivet	29 mm	3	-
64140-3-ABA-30	140 mm	23	6-rivet	1"	3	30°
64140-3-ABA-36	140 mm	26	6-rivet	1 5/32"	3	-
64140-3-F-25	140 mm	20	6-rivet	7/8"	1	-
64185-3-V-06	184 mm	10	8-rivet	1 1/8"	1	-
64185-3-V-30	184 mm	23	8-rivet	1"	1	30°
64185-3-V-36	184 mm	26	8-rivet	1 5/32"	1	-
64185-3-VTV-30	184 mm	23	8-rivet	1"	3	30°
64185-3-VTV-36	184 mm	26	8-rivet	1 5/32"	3	-
64185-3-VTV-46	184 mm	29	8-rivet	1 1/4"	3	-
64185-3-VV-10	184 mm	10	8-rivet	29 mm	2	-
64185-3-VV-25	184 mm	20	8-rivet	7/8"	2	-

Back to Back - follows

Code	Plate Ø	Spline No.	Type	Spline shaft Ø	Plates in pack	Note
64185-3-VV-30	184 mm	23	8-rivet	1"	2	30°
64185-3-VV-36	184 mm	26	8-rivet	1 5/32"	2	-
64185-3-VV-46	184 mm	29	8-rivet	1 1/4"	2	-
64185-3-VV-52	184 mm	10	8-rivet	35 mm	2	-



Code	Plate Ø	Spline No.	Type	Spline shaft Ø	Plates in pack	Note
64140-3-A-18	140 mm	18	6-rivet	25/32"	1	-
64140-3-AC-25	140 mm	20	6-rivet	7/8"	2	-
64140-3-AC-30	140 mm	23	6-rivet	1"	2	30°
64140-3-ACC-10	140 mm	10	6-rivet	29 mm	3	-
64140-3-ACC-30	140 mm	23	6-rivet	1"	3	30°
64140-3-ACC-32	140 mm	24	6-rivet	13/16"	3	-
64140-3-ACC-36	140 mm	26	6-rivet	1 5/32"	3	-
64140-3-ACC-41	140 mm	23	6-rivet	24 mm	3	25°
64140-3-ACCC-30	140 mm	23	6-rivet	1"	4	30°
64140-3-ACCC-36	140 mm	26	6-rivet	1 5/32"	4	-
64185-3-VR-30	184 mm	23	8-rivet	1"	2	30°
64185-3-VRR-10	184 mm	10	8-rivet	29 mm	3	-
64185-3-VRR-30	184 mm	23	8-rivet	1"	3	30°
64185-3-VRR-36	184 mm	26	8-rivet	1 5/32"	3	-
64185-3-VRR-41	184 mm	23	8-rivet	24 mm	3	25°
64185-3-VRRR-36	184 mm	26	8-rivet	1 5/32"	4	-

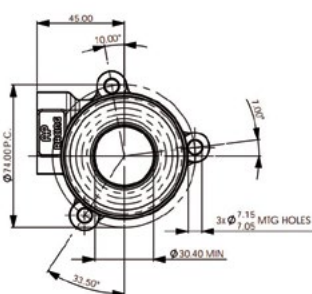


Code	Plate Ø	Spline No.	Type	Spline shaft Ø	Plates in pack	Note
64185-8-V-03	184 mm	10	8-rivet	7/8"	1	-
64185-8-V-04	184 mm	10	8-rivet	1"	1	-
64185-8-V-05	184 mm	10	8-rivet	1 1/16"	1	-
64185-8-V-06	184 mm	10	8-rivet	1 1/8"	1	-
64185-8-V-10	184 mm	10	8-rivet	29 mm	1	-
64185-8-V-12	184 mm	14	8-rivet	25 mm	1	-
64185-8-V-14	184 mm	14	8-rivet	30,8 mm	1	-
64185-8-V-26	184 mm	21	8-rivet	29/32"	1	-
64185-8-V-27	184 mm	21	8-rivet	24 mm	1	-
64185-8-V-28	184 mm	21	8-rivet	29 mm	1	-
64185-8-V-29	184 mm	22	8-rivet	1"	1	-
64185-8-V-32	184 mm	24	8-rivet	13/16"	1	-
64185-8-V-33	184 mm	24	8-rivet	1"	1	early Nissan
64185-8-V-38	184 mm	24	8-rivet	26 mm	1	-
64185-8-V-41	184 mm	23	8-rivet	24 mm	1	25°

BONDED CERAMETALLIC PLATES TILTON

Code	Plate Ø	Spline No.	Type	Spline shaft Ø	Plates in pack	Note
64185-8-V-47	184 mm	24	8-rivet	15/16"	1	-
64185-8-V-52	184 mm	10	8-rivet	35 mm	1	-
64185-8-V-57	184 mm	24	8-rivet	1"	1	late Nissan
64185-8-VV-05	184 mm	10	8-rivet	1 1/16"	2	-
64185-8-VV-06	184 mm	10	8-rivet	1 1/8"	2	-
64185-8-VV-08	184 mm	10	8-rivet	1 3/8"	2	-
64185-8-VV-10	184 mm	10	8-rivet	29 mm	2	-
64185-8-VV-12	184 mm	14	8-rivet	25 mm	2	-
64185-8-VV-14	184 mm	14	8-rivet	30,8 mm	2	-
64185-8-VV-19	184 mm	18	8-rivet	1 3/16"	2	-
64185-8-VV-25	184 mm	20	8-rivet	7/8"	2	-
64185-8-VV-26	184 mm	21	8-rivet	29/32"	2	-
64185-8-VV-28	184 mm	21	8-rivet	29 mm	2	-
64185-8-VV-29	184 mm	22	8-rivet	1"	2	-
64185-8-VV-30	184 mm	23	8-rivet	1"	2	30°
64185-8-VV-32	184 mm	24	8-rivet	13/16"	2	-
64185-8-VV-33	184 mm	24	8-rivet	1"	2	early Nissan
64185-8-VV-36	184 mm	26	8-rivet	1 5/32"	2	-
64185-8-VV-38	184 mm	24	8-rivet	26 mm	2	-
64185-8-VV-41	184 mm	23	8-rivet	24 mm	2	25°
64185-8-VV-46	184 mm	29	8-rivet	1 1/4"	2	-
64185-8-VV-47	184 mm	24	8-rivet	15/16"	2	-
64185-8-VV-51	184 mm	22	8-rivet	29,4 mm	2	-
64185-8-VV-52	184 mm	10	8-rivet	25 mm	2	-
64185-8-VV-55	184 mm	26	8-rivet	35 mm	2	-
64185-8-VV-57	184 mm	24	8-rivet	1"	2	late Nissan
64185-8-W-25	184 mm	20	8-rivet	7/8"	2	-

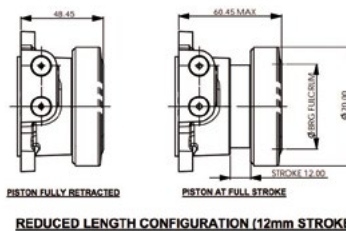
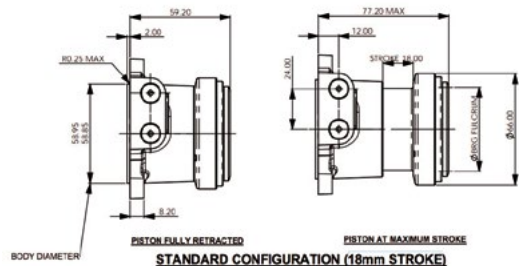
AP RACING SLAVE CYLINDERS



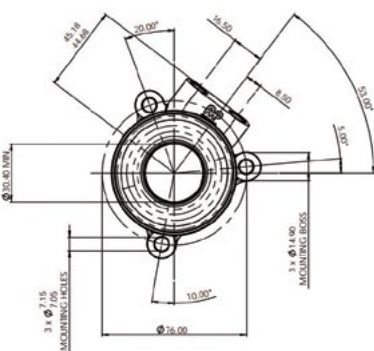
CP3959

Slave cylinder - Hydraulic ports M12 x 1,0

Code	Fitting	Fulcrum Ø	Max stroke	Weight	Note
CP3959-1250	M12 x 1,0	50,0 mm	12,0 mm	425 g	-
CP3959-1254	M12 x 1,0	54,0 mm	12,0 mm	425 g	-
CP3959-38	M12 x 1,0	38,0 mm	18,0 mm	425 g	-
CP3959-50	M12 x 1,0	50,0 mm	18,0 mm	425 g	-
CP3959-54	M12 x 1,0	54,0 mm	18,0 mm	425 g	-



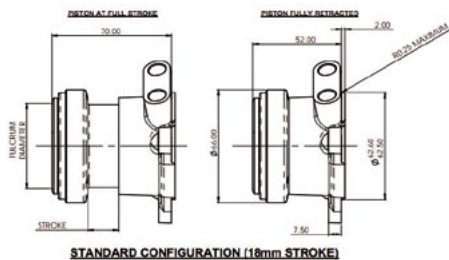
REDUCED LENGTH CONFIGURATION (12mm STROKE)



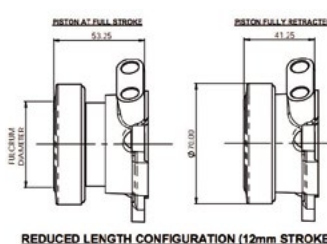
CP6859

CP6859 family replaces CP3859 but some features are different:

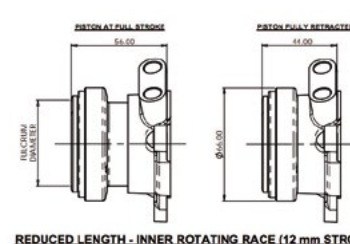
Code	Fitting	Fulcrum Ø	Max stroke	Weight	Note
CP6859-1238-IN	M10 x 1,0	38,0 mm	12,0 mm	346 g	Inner rotating race
CP6859-1245-IN	M10 x 1,0	45,0 mm	12,0 mm	346 g	Inner rotating race
CP6859-1250	M10 x 1,0	50,0 mm	12,0 mm	257 g	-
CP6859-1250-IN	M10 x 1,0	50,0 mm	12,0 mm	346 g	Inner rotating race
CP6859-1254	M10 x 1,0	54,0 mm	12,0 mm	257 g	-
CP6859-1254-IN	M10 x 1,0	54,0 mm	12,0 mm	346 g	Inner rotating race
CP6859-38	M10 x 1,0	38,0 mm	18,0 mm	381 g	-
CP6859-50	M10 x 1,0	50,0 mm	18,0 mm	381 g	-
CP6859-54	M10 x 1,0	54,0 mm	18,0 mm	381 g	-



STANDARD CONFIGURATION (18mm STROKE)



REDUCED LENGTH CONFIGURATION (12mm STROKE)



REDUCED LENGTH - INNER ROTATING RACE (12mm STROKE)

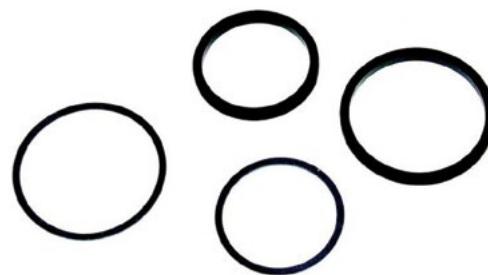
GIRLING SLAVE CYLINDERS



Suitable for use on early versions of the Hewland transmissions, the small size of this command makes it suitable for various applications. Aluminum body

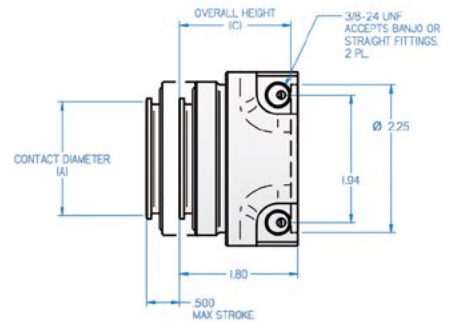
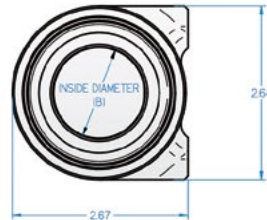
Code	Diameter	Thread	Hydraulic Port Side
64677346	22,2 mm	UNF 3/8"	left
74066213	22,2 mm	UNF 3/8"	right

REPLACEMENT SEAL KITS



Code	Application
CP3759-3	Slave cylinders CP3759/CP3959/CP6859
SP2029	Girling Slave cylinders

TILTON SLAVE CYLINDERS



Code	Application	Fulcrum Ø	Max stroke	Overall height	Bearing type	Piston area	Mount	Materiale	Weight	Fitting	Included in kit
61-772	Slip fit over transaxle pilot tube	44,0 mm	12,7 mm	41,7 mm	radius-face	788 mm ²	slip-fit onto 35 mm pilot tube	billet aluminium	0.70 lbs	3/8" x 24	3/8" x 24 steel braided line (90) and related fittings
61-777	Slip fit over transaxle pilot tube	44,0 mm	12,7 mm	43,2 mm	radius-face	788 mm ²	slip-fit onto 35 mm pilot tube	billet aluminium	0.70 lbs	3/8" x 24	3/8" x 24 steel braided line (90) and related fittings



1000 Series



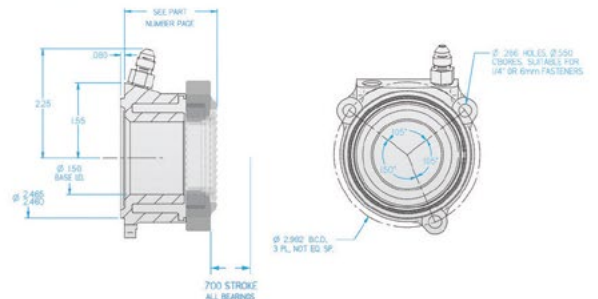
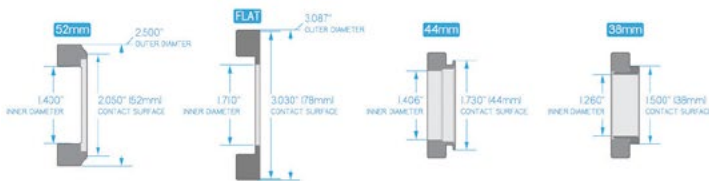
1100 Series



12XX Series

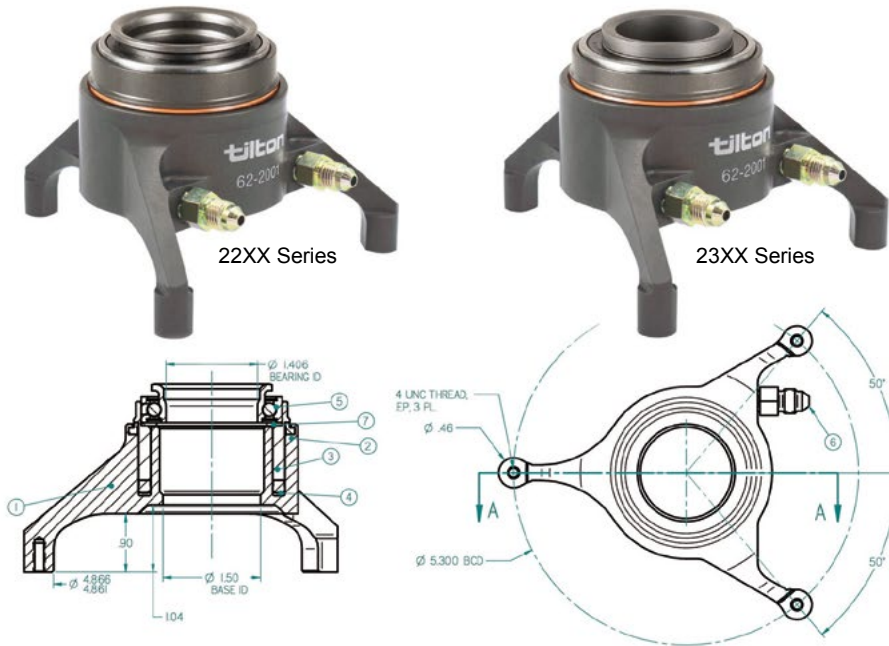


13XX Series



Code	Application	Fulcrum Ø	Max stroke	Overall height	Bearing type	Piston area	Mount	Materiale	Weight	Fitting	Included in kit
60-1000	clutches 5.5" - 8.5"	52 mm	17,8 mm	51,8 mm	radius-face	784 mm ²	3-bolt "Saab type" pattern	billet aluminium	0.85 lbs	3/8" x 24	2 fittings 3/8" x 24
60-1100	clutches bent finger 8.5" - 11.0"	43,4 - 77,0 mm	17,8 mm	45,5 mm	flat-face	784 mm ²	3-bolt "Saab type" pattern	billet aluminium	0.95 lbs	3/8" x 24	2 fittings 3/8" x 24
60-1200	clutches 5.5" - 7.25"	44,0 mm	17,8 mm	47,5 - 46,2 mm	radius-face	784 mm ²	3-bolt "Saab type" pattern	billet aluminium	0.7 lbs	3/8" x 24	2 fittings 3/8" x 24
60-1210	clutches 5.5" - 7.25"	44,0 mm	17,8 mm	50,0 - 48,8 mm	radius-face	784 mm ²	3-bolt "Saab type" pattern	billet aluminium	0.7 lbs	3/8" x 24	2 fittings 3/8" x 24
60-1220	clutches 5.5" - 7.25"	44,0 mm	17,8 mm	52,3 - 51,3 mm	radius-face	784 mm ²	3-bolt "Saab type" pattern	billet aluminium	0.7 lbs	3/8" x 24	2 fittings 3/8" x 24
60-1230	clutches 5.5" - 7.25"	44,0 mm	17,8 mm	55,1 - 53,8 mm	radius-face	784 mm ²	3-bolt "Saab type" pattern	billet aluminium	0.7 lbs	3/8" x 24	2 fittings 3/8" x 24
60-1240	clutches 5.5" - 7.25"	44,0 mm	17,8 mm	57,7 - 56,4 mm	radius-face	784 mm ²	3-bolt "Saab type" pattern	billet aluminium	0.7 lbs	3/8" x 24	2 fittings 3/8" x 24
60-1250	clutches 5.5" - 7.25"	44,0 mm	17,8 mm	60,2 - 58,9 mm	radius-face	784 mm ²	3-bolt "Saab type" pattern	billet aluminium	0.7 lbs	3/8" x 24	2 fittings 3/8" x 24
60-1260	clutches 5.5" - 7.25"	44,0 mm	17,8 mm	62,7 - 61,5 mm	radius-face	784 mm ²	3-bolt "Saab type" pattern	billet aluminium	0.7 lbs	3/8" x 24	2 fittings 3/8" x 24
60-1270	clutches 5.5" - 7.25"	44,0 mm	17,8 mm	65,3 - 64,0 mm	radius-face	784 mm ²	3-bolt "Saab type" pattern	billet aluminium	0.7 lbs	3/8" x 24	2 fittings 3/8" x 24
60-1280	clutches 5.5" - 7.25"	44,0 mm	17,8 mm	67,8 - 66,5 mm	radius-face	784 mm ²	3-bolt "Saab type" pattern	billet aluminium	0.7 lbs	3/8" x 24	2 fittings 3/8" x 24
60-1290	clutches 5.5" - 7.25"	44,0 mm	17,8 mm	70,4 - 69,0 mm	radius-face	784 mm ²	3-bolt "Saab type" pattern	billet aluminium	0.7 lbs	3/8" x 24	2 fittings 3/8" x 24
60-1300	clutches 4.5" - 5.5"	38,0 mm	17,8 mm	47,5 - 46,2 mm	radius-face	784 mm ²	3-bolt "Saab type" pattern	billet aluminium	0.75 lbs	3/8" x 24	2 fittings 3/8" x 24
60-1310	clutches 4.5" - 5.5"	38,0 mm	17,8 mm	50,0 - 48,8 mm	radius-face	784 mm ²	3-bolt "Saab type" pattern	billet aluminium	0.75 lbs	3/8" x 24	2 fittings 3/8" x 24
60-1320	clutches 4.5" - 5.5"	38,0 mm	17,8 mm	52,3 - 51,3 mm	radius-face	784 mm ²	3-bolt "Saab type" pattern	billet aluminium	0.75 lbs	3/8" x 24	2 fittings 3/8" x 24
60-1330	clutches 4.5" - 5.5"	38,0 mm	17,8 mm	55,1 - 53,8 mm	radius-face	784 mm ²	3-bolt "Saab type" pattern	billet aluminium	0.75 lbs	3/8" x 24	2 fittings 3/8" x 24
60-1340	clutches 4.5" - 5.5"	38,0 mm	17,8 mm	57,7 - 56,4 mm	radius-face	784 mm ²	3-bolt "Saab type" pattern	billet aluminium	0.75 lbs	3/8" x 24	2 fittings 3/8" x 24
60-1350	clutches 4.5" - 5.5"	38,0 mm	17,8 mm	60,2 - 58,9 mm	radius-face	784 mm ²	3-bolt "Saab type" pattern	billet aluminium	0.75 lbs	3/8" x 24	2 fittings 3/8" x 24
60-1360	clutches 4.5" - 5.5"	38,0 mm	17,8 mm	62,7 - 61,5 mm	radius-face	784 mm ²	3-bolt "Saab type" pattern	billet aluminium	0.75 lbs	3/8" x 24	2 fittings 3/8" x 24
60-1370	clutches 4.5" - 5.5"	38,0 mm	17,8 mm	65,3 - 64,0 mm	radius-face	784 mm ²	3-bolt "Saab type" pattern	billet aluminium	0.75 lbs	3/8" x 24	2 fittings 3/8" x 24
60-1380	clutches 4.5" - 5.5"	38,0 mm	17,8 mm	67,8 - 66,5 mm	radius-face	784 mm ²	3-bolt "Saab type" pattern	billet aluminium	0.75 lbs	3/8" x 24	2 fittings 3/8" x 24
60-1390	clutches 4.5" - 5.5"	38,0 mm	17,8 mm	70,4 - 69,0 mm	radius-face	784 mm ²	3-bolt "Saab type" pattern	billet aluminium	0.75 lbs	3/8" x 24	2 fittings 3/8" x 24

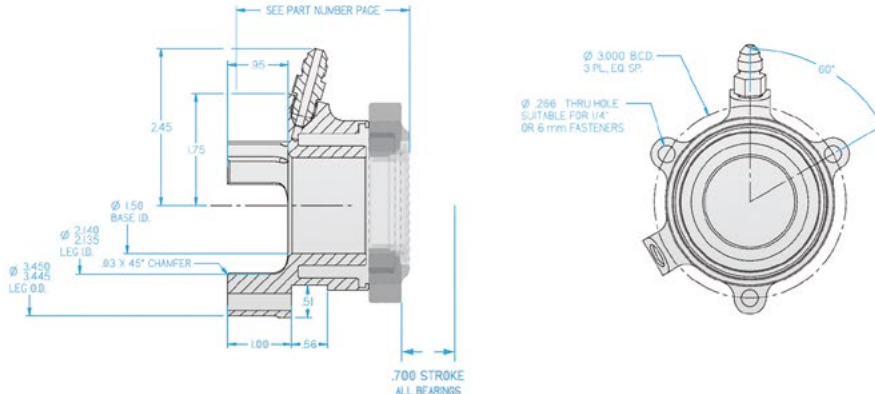
TILTON SLAVE CYLINDERS



Code	Application	Fulcrum Ø	Max stroke	Overall height	Bearing type	Piston area	Mount	Materiale	Weight	Fitting	Included in kit
60-2200	clutches QM 5,5" & 7.25"	44,0 mm	15,24 mm	73,7 mm	radius-face	784 mm ²	3-bolt "QM-type" pattern	billet aluminium	0.75 lbs	3/8" x 24	2 fittings 3/8" x 24
60-2210	clutches QM 5,5" & 7.25"	44,0 mm	15,24 mm	76,2 mm	radius-face	784 mm ²	3-bolt "QM-type" pattern	billet aluminium	0.75 lbs	3/8" x 24	2 fittings 3/8" x 24
60-2220	clutches QM 5,5" & 7.25"	44,0 mm	15,24 mm	78,7 mm	radius-face	784 mm ²	3-bolt "QM-type" pattern	billet aluminium	0.75 lbs	3/8" x 24	2 fittings 3/8" x 24
60-2230	clutches QM 5,5" & 7.25"	44,0 mm	15,24 mm	81,3 mm	radius-face	784 mm ²	3-bolt "QM-type" pattern	billet aluminium	0.75 lbs	3/8" x 24	2 fittings 3/8" x 24
60-2240	clutches QM 5,5" & 7.25"	44,0 mm	15,24 mm	83,8 mm	radius-face	784 mm ²	3-bolt "QM-type" pattern	billet aluminium	0.75 lbs	3/8" x 24	2 fittings 3/8" x 24
60-2250	clutches QM 5,5" & 7.25"	44,0 mm	15,24 mm	86,4 mm	radius-face	784 mm ²	3-bolt "QM-type" pattern	billet aluminium	0.75 lbs	3/8" x 24	2 fittings 3/8" x 24
60-2260	clutches QM 5,5" & 7.25"	44,0 mm	15,24 mm	88,9 mm	radius-face	784 mm ²	3-bolt "QM-type" pattern	billet aluminium	0.75 lbs	3/8" x 24	2 fittings 3/8" x 24
60-2270	clutches QM 5,5" & 7.25"	44,0 mm	15,24 mm	91,4 mm	radius-face	784 mm ²	3-bolt "QM-type" pattern	billet aluminium	0.75 lbs	3/8" x 24	2 fittings 3/8" x 24
60-2280	clutches QM 5,5" & 7.25"	44,0 mm	15,24 mm	94,0 mm	radius-face	784 mm ²	3-bolt "QM-type" pattern	billet aluminium	0.75 lbs	3/8" x 24	2 fittings 3/8" x 24
60-2290	clutches QM 5,5" & 7.25"	44,0 mm	15,24 mm	96,5 mm	radius-face	784 mm ²	3-bolt "QM-type" pattern	billet aluminium	0.75 lbs	3/8" x 24	2 fittings 3/8" x 24
60-2300	clutches QM 5,5"	38,0 mm	15,24 mm	73,7 mm	radius-face	784 mm ²	3-bolt "QM-type" pattern	billet aluminium	0.85 lbs	3/8" x 24	2 fittings 3/8" x 24
60-2310	clutches QM 5,5"	38,0 mm	15,24 mm	76,2 mm	radius-face	784 mm ²	3-bolt "QM-type" pattern	billet aluminium	0.85 lbs	3/8" x 24	2 fittings 3/8" x 24
60-2320	clutches QM 5,5"	38,0 mm	15,24 mm	78,7 mm	radius-face	784 mm ²	3-bolt "QM-type" pattern	billet aluminium	0.85 lbs	3/8" x 24	2 fittings 3/8" x 24
60-2330	clutches QM 5,5"	38,0 mm	15,24 mm	81,3 mm	radius-face	784 mm ²	3-bolt "QM-type" pattern	billet aluminium	0.85 lbs	3/8" x 24	2 fittings 3/8" x 24
60-2340	clutches QM 5,5"	38,0 mm	15,24 mm	83,8 mm	radius-face	784 mm ²	3-bolt "QM-type" pattern	billet aluminium	0.85 lbs	3/8" x 24	2 fittings 3/8" x 24
60-2350	clutches QM 5,5"	38,0 mm	15,24 mm	86,4 mm	radius-face	784 mm ²	3-bolt "QM-type" pattern	billet aluminium	0.85 lbs	3/8" x 24	2 fittings 3/8" x 24
60-2360	clutches QM 5,5"	38,0 mm	15,24 mm	88,9 mm	radius-face	784 mm ²	3-bolt "QM-type" pattern	billet aluminium	0.85 lbs	3/8" x 24	2 fittings 3/8" x 24
60-2370	clutches QM 5,5"	38,0 mm	15,24 mm	91,4 mm	radius-face	784 mm ²	3-bolt "QM-type" pattern	billet aluminium	0.85 lbs	3/8" x 24	2 fittings 3/8" x 24
60-2380	clutches QM 5,5"	38,0 mm	15,24 mm	94,0 mm	radius-face	784 mm ²	3-bolt "QM-type" pattern	billet aluminium	0.85 lbs	3/8" x 24	2 fittings 3/8" x 24
60-2390	clutches QM 5,5"	38,0 mm	15,24 mm	96,5 mm	radius-face	784 mm ²	3-bolt "QM-type" pattern	billet aluminium	0.85 lbs	3/8" x 24	2 fittings 3/8" x 24

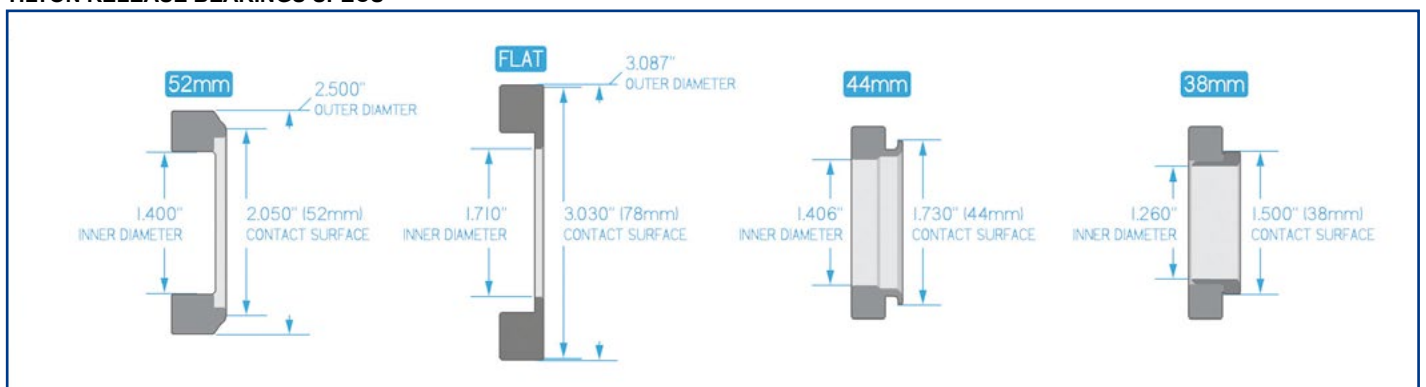


TILTON SLAVE CYLINDERS

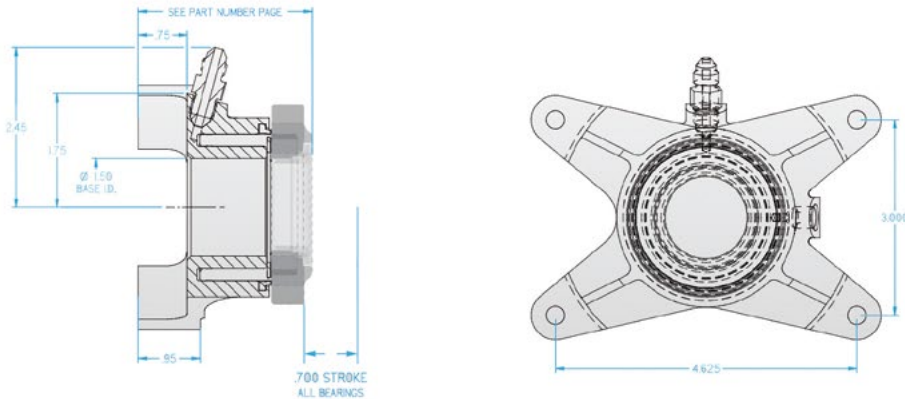


Code	Application	Fulcrum Ø	Max stroke	Overall height	Bearing type	Piston area	Mount	Materiale	Weight	Fitting	Included in kit
60-3000	clutches 5.5" - 8.5"	52,0 mm	17,8 mm	76,2 mm	radius-face	784 mm ²	3-bolt pattern	billet aluminium	0.85 lbs	3/8" x 24	2 fittings 3/8" x 24
60-3100	clutches bent finger 8.5" - 11.0"	43,4 - 77,0 mm	17,8 mm	69,6 mm	flat-face	784 mm ²	3-bolt pattern	billet aluminium	0.85 lbs	3/8" x 24	2 fittings 3/8" x 24
60-3200	clutches 5.5" - 7.25"	44,0 mm	17,8 mm	71,6 - 70,4 mm	radius-face	784 mm ²	3-bolt pattern	billet aluminium	0.70 lbs	3/8" x 24	2 fittings 3/8" x 24
60-3210	clutches 5.5" - 7.25"	44,0 mm	17,8 mm	74,2 - 72,9 mm	radius-face	784 mm ²	3-bolt pattern	billet aluminium	0.70 lbs	3/8" x 24	2 fittings 3/8" x 24
60-3220	clutches 5.5" - 7.25"	44,0 mm	17,8 mm	76,7 - 75,4 mm	radius-face	784 mm ²	3-bolt pattern	billet aluminium	0.70 lbs	3/8" x 24	2 fittings 3/8" x 24
60-3230	clutches 5.5" - 7.25"	44,0 mm	17,8 mm	79,2 - 78,0 mm	radius-face	784 mm ²	3-bolt pattern	billet aluminium	0.70 lbs	3/8" x 24	2 fittings 3/8" x 24
60-3240	clutches 5.5" - 7.25"	44,0 mm	17,8 mm	81,8 - 80,5 mm	radius-face	784 mm ²	3-bolt pattern	billet aluminium	0.70 lbs	3/8" x 24	2 fittings 3/8" x 24
60-3250	clutches 5.5" - 7.25"	44,0 mm	17,8 mm	84,3 - 83,1 mm	radius-face	784 mm ²	3-bolt pattern	billet aluminium	0.70 lbs	3/8" x 24	2 fittings 3/8" x 24
60-3260	clutches 5.5" - 7.25"	44,0 mm	17,8 mm	86,9 - 85,6 mm	radius-face	784 mm ²	3-bolt pattern	billet aluminium	0.70 lbs	3/8" x 24	2 fittings 3/8" x 24
60-3270	clutches 5.5" - 7.25"	44,0 mm	17,8 mm	89,4 - 88,1 mm	radius-face	784 mm ²	3-bolt pattern	billet aluminium	0.70 lbs	3/8" x 24	2 fittings 3/8" x 24
60-3280	clutches 5.5" - 7.25"	44,0 mm	17,8 mm	91,9 - 90,7 mm	radius-face	784 mm ²	3-bolt pattern	billet aluminium	0.70 lbs	3/8" x 24	2 fittings 3/8" x 24
60-3290	clutches 5.5" - 7.25"	44,0 mm	17,8 mm	94,5 - 93,2 mm	radius-face	784 mm ²	3-bolt pattern	billet aluminium	0.70 lbs	3/8" x 24	2 fittings 3/8" x 24
60-3300	clutches 4.5" - 5.5"	38,0 mm	17,8 mm	71,6 - 70,4 mm	radius-face	784 mm ²	3-bolt pattern	billet aluminium	0.75 lbs	3/8" x 24	2 fittings 3/8" x 24
60-3310	clutches 4.5" - 5.5"	38,0 mm	17,8 mm	74,2 - 72,9 mm	radius-face	784 mm ²	3-bolt pattern	billet aluminium	0.75 lbs	3/8" x 24	2 fittings 3/8" x 24
60-3320	clutches 4.5" - 5.5"	38,0 mm	17,8 mm	76,7 - 75,4 mm	radius-face	784 mm ²	3-bolt pattern	billet aluminium	0.75 lbs	3/8" x 24	2 fittings 3/8" x 24
60-3330	clutches 4.5" - 5.5"	38,0 mm	17,8 mm	79,2 - 78,0 mm	radius-face	784 mm ²	3-bolt pattern	billet aluminium	0.75 lbs	3/8" x 24	2 fittings 3/8" x 24
60-3340	clutches 4.5" - 5.5"	38,0 mm	17,8 mm	81,8 - 80,5 mm	radius-face	784 mm ²	3-bolt pattern	billet aluminium	0.75 lbs	3/8" x 24	2 fittings 3/8" x 24
60-3350	clutches 4.5" - 5.5"	38,0 mm	17,8 mm	84,3 - 83,1 mm	radius-face	784 mm ²	3-bolt pattern	billet aluminium	0.75 lbs	3/8" x 24	2 fittings 3/8" x 24
60-3360	clutches 4.5" - 5.5"	38,0 mm	17,8 mm	86,9 - 85,6 mm	radius-face	784 mm ²	3-bolt pattern	billet aluminium	0.75 lbs	3/8" x 24	2 fittings 3/8" x 24
60-3370	clutches 4.5" - 5.5"	38,0 mm	17,8 mm	89,4 - 88,1 mm	radius-face	784 mm ²	3-bolt pattern	billet aluminium	0.75 lbs	3/8" x 24	2 fittings 3/8" x 24
60-3380	clutches 4.5" - 5.5"	38,0 mm	17,8 mm	91,9 - 90,7 mm	radius-face	784 mm ²	3-bolt pattern	billet aluminium	0.75 lbs	3/8" x 24	2 fittings 3/8" x 24
60-3390	clutches 4.5" - 5.5"	38,0 mm	17,8 mm	94,5 - 93,2 mm	radius-face	784 mm ²	3-bolt pattern	billet aluminium	0.75 lbs	3/8" x 24	2 fittings 3/8" x 24

TILTON RELEASE BEARINGS SPECS



TILTON SLAVE CYLINDERS



Code	Application	Fulcrum Ø	Max stroke	Overall height	Bearing type	Piston area	Mount	Materiale	Weight	Fitting	Included in kit
60-4000	clutches 5.5" - 8.5"	52,0 mm	17,8 mm	71,0 mm	radius-face	784 mm ²	4-bolt pattern	aluminium	1.30 lbs	3/8" x 24	2 fittings 3/8" x 24
60-4100	clutches bent finger 8.5" - 11.0"	43,4 - 77,0 mm	17,8 mm	71,0 mm	flat-face	784 mm ²	4-bolt pattern	aluminium	1.45 lbs	3/8" x 24	2 fittings 3/8" x 24
60-4200	clutches 5.5" - 7.25"	44,0 mm	17,8 mm	66,5 - 65,3 mm	radius-face	784 mm ²	4-bolt pattern	aluminium	1.15 lbs	3/8" x 24	2 fittings 3/8" x 24
60-4210	clutches 5.5" - 7.25"	44,0 mm	17,8 mm	69,0 - 67,8 mm	radius-face	784 mm ²	4-bolt pattern	aluminium	1.15 lbs	3/8" x 24	2 fittings 3/8" x 24
60-4220	clutches 5.5" - 7.25"	44,0 mm	17,8 mm	71,6 - 70,4 mm	radius-face	784 mm ²	4-bolt pattern	aluminium	1.15 lbs	3/8" x 24	2 fittings 3/8" x 24
60-4230	clutches 5.5" - 7.25"	44,0 mm	17,8 mm	74,2 - 72,9 mm	radius-face	784 mm ²	4-bolt pattern	aluminium	1.15 lbs	3/8" x 24	2 fittings 3/8" x 24
60-4240	clutches 5.5" - 7.25"	44,0 mm	17,8 mm	76,7 - 75,4 mm	radius-face	784 mm ²	4-bolt pattern	aluminium	1.15 lbs	3/8" x 24	2 fittings 3/8" x 24
60-4250	clutches 5.5" - 7.25"	44,0 mm	17,8 mm	79,2 - 78,0 mm	radius-face	784 mm ²	4-bolt pattern	aluminium	1.15 lbs	3/8" x 24	2 fittings 3/8" x 24
60-4260	clutches 5.5" - 7.25"	44,0 mm	17,8 mm	81,8 - 80,5 mm	radius-face	784 mm ²	4-bolt pattern	aluminium	1.15 lbs	3/8" x 24	2 fittings 3/8" x 24
60-4270	clutches 5.5" - 7.25"	44,0 mm	17,8 mm	84,3 - 83,1 mm	radius-face	784 mm ²	4-bolt pattern	aluminium	1.15 lbs	3/8" x 24	2 fittings 3/8" x 24
60-4280	clutches 5.5" - 7.25"	44,0 mm	17,8 mm	86,9 - 85,6 mm	radius-face	784 mm ²	4-bolt pattern	aluminium	1.15 lbs	3/8" x 24	2 fittings 3/8" x 24
60-4290	clutches 5.5" - 7.25"	44,0 mm	17,8 mm	89,4 - 88,1 mm	radius-face	784 mm ²	4-bolt pattern	aluminium	1.15 lbs	3/8" x 24	2 fittings 3/8" x 24
60-4300	clutches 4.5" - 5.5"	38,0 mm	17,8 mm	66,5 - 65,3 mm	radius-face	784 mm ²	4-bolt pattern	aluminium	1.20 lbs	3/8" x 24	2 fittings 3/8" x 24
60-4310	clutches 4.5" - 5.5"	38,0 mm	17,8 mm	69,0 - 67,8 mm	radius-face	784 mm ²	4-bolt pattern	aluminium	1.20 lbs	3/8" x 24	2 fittings 3/8" x 24
60-4320	clutches 4.5" - 5.5"	38,0 mm	17,8 mm	71,6 - 70,4 mm	radius-face	784 mm ²	4-bolt pattern	aluminium	1.20 lbs	3/8" x 24	2 fittings 3/8" x 24
60-4330	clutches 4.5" - 5.5"	38,0 mm	17,8 mm	74,2 - 72,9 mm	radius-face	784 mm ²	4-bolt pattern	aluminium	1.20 lbs	3/8" x 24	2 fittings 3/8" x 24
60-4340	clutches 4.5" - 5.5"	38,0 mm	17,8 mm	76,7 - 75,4 mm	radius-face	784 mm ²	4-bolt pattern	aluminium	1.20 lbs	3/8" x 24	2 fittings 3/8" x 24
60-4350	clutches 4.5" - 5.5"	38,0 mm	17,8 mm	79,2 - 78,0 mm	radius-face	784 mm ²	4-bolt pattern	aluminium	1.20 lbs	3/8" x 24	2 fittings 3/8" x 24
60-4360	clutches 4.5" - 5.5"	38,0 mm	17,8 mm	81,8 - 80,5 mm	radius-face	784 mm ²	4-bolt pattern	aluminium	1.20 lbs	3/8" x 24	2 fittings 3/8" x 24
60-4370	clutches 4.5" - 5.5"	38,0 mm	17,8 mm	84,3 - 83,1 mm	radius-face	784 mm ²	4-bolt pattern	aluminium	1.20 lbs	3/8" x 24	2 fittings 3/8" x 24
60-4380	clutches 4.5" - 5.5"	38,0 mm	17,8 mm	86,9 - 85,6 mm	radius-face	784 mm ²	4-bolt pattern	aluminium	1.20 lbs	3/8" x 24	2 fittings 3/8" x 24
60-4390	clutches 4.5" - 5.5"	38,0 mm	17,8 mm	89,4 - 88,1 mm	radius-face	784 mm ²	4-bolt pattern	aluminium	1.20 lbs	3/8" x 24	2 fittings 3/8" x 24



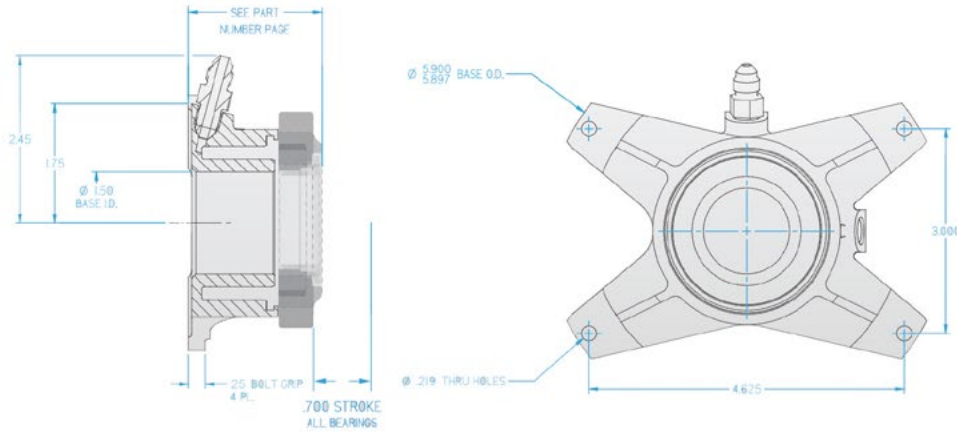
TILTON SLAVE CYLINDERS



52XX Series



53XX Series



Code	Application	Fulcrum Ø	Max stroke	Overall height	Bearing type	Piston area	Mount	Materiale	Weight	Fitting	Included in kit
60-5200	clutches 5.5" - 7.25"	44,0 mm	17,8 mm	48,8 - 47,5 mm	radius-face	784 mm ²	4-bolt pattern	aluminium	1.20 lbs	3/8" x 24	2 fittings 3/8" x 24
60-5210	clutches 5.5" - 7.25"	44,0 mm	17,8 mm	51,3 - 50,0 mm	radius-face	784 mm ²	4-bolt pattern	aluminium	1.20 lbs	3/8" x 24	2 fittings 3/8" x 24
60-5220	clutches 5.5" - 7.25"	44,0 mm	17,8 mm	53,8 - 52,6 mm	radius-face	784 mm ²	4-bolt pattern	aluminium	1.20 lbs	3/8" x 24	2 fittings 3/8" x 24
60-5230	clutches 5.5" - 7.25"	44,0 mm	17,8 mm	56,4 - 55,1 mm	radius-face	784 mm ²	4-bolt pattern	aluminium	1.20 lbs	3/8" x 24	2 fittings 3/8" x 24
60-5240	clutches 5.5" - 7.25"	44,0 mm	17,8 mm	58,9 - 57,7 mm	radius-face	784 mm ²	4-bolt pattern	aluminium	1.20 lbs	3/8" x 24	2 fittings 3/8" x 24
60-5250	clutches 5.5" - 7.25"	44,0 mm	17,8 mm	61,5 - 60,2 mm	radius-face	784 mm ²	4-bolt pattern	aluminium	1.20 lbs	3/8" x 24	2 fittings 3/8" x 24
60-5260	clutches 5.5" - 7.25"	44,0 mm	17,8 mm	64,0 - 62,7 mm	radius-face	784 mm ²	4-bolt pattern	aluminium	1.20 lbs	3/8" x 24	2 fittings 3/8" x 24
60-5270	clutches 5.5" - 7.25"	44,0 mm	17,8 mm	66,5 - 65,3 mm	radius-face	784 mm ²	4-bolt pattern	aluminium	1.20 lbs	3/8" x 24	2 fittings 3/8" x 24
60-5280	clutches 5.5" - 7.25"	44,0 mm	17,8 mm	69,0 - 67,8 mm	radius-face	784 mm ²	4-bolt pattern	aluminium	1.20 lbs	3/8" x 24	2 fittings 3/8" x 24
60-5290	clutches 5.5" - 7.25"	44,0 mm	17,8 mm	71,6 - 70,4 mm	radius-face	784 mm ²	4-bolt pattern	aluminium	1.20 lbs	3/8" x 24	2 fittings 3/8" x 24
60-5300	clutches 4.5" - 5.5"	38,0 mm	17,8 mm	48,8 - 47,5 mm	radius-face	784 mm ²	4-bolt pattern	aluminium	1.20 lbs	3/8" x 24	2 fittings 3/8" x 24
60-5310	clutches 4.5" - 5.5"	38,0 mm	17,8 mm	51,3 - 50,0 mm	radius-face	784 mm ²	4-bolt pattern	aluminium	1.20 lbs	3/8" x 24	2 fittings 3/8" x 24
60-5320	clutches 4.5" - 5.5"	38,0 mm	17,8 mm	53,8 - 52,6 mm	radius-face	784 mm ²	4-bolt pattern	aluminium	1.20 lbs	3/8" x 24	2 fittings 3/8" x 24
60-5330	clutches 4.5" - 5.5"	38,0 mm	17,8 mm	56,4 - 55,1 mm	radius-face	784 mm ²	4-bolt pattern	aluminium	1.20 lbs	3/8" x 24	2 fittings 3/8" x 24
60-5340	clutches 4.5" - 5.5"	38,0 mm	17,8 mm	58,9 - 57,7 mm	radius-face	784 mm ²	4-bolt pattern	aluminium	1.20 lbs	3/8" x 24	2 fittings 3/8" x 24
60-5350	clutches 4.5" - 5.5"	38,0 mm	17,8 mm	61,5 - 60,2 mm	radius-face	784 mm ²	4-bolt pattern	aluminium	1.20 lbs	3/8" x 24	2 fittings 3/8" x 24
60-5360	clutches 4.5" - 5.5"	38,0 mm	17,8 mm	64,0 - 62,7 mm	radius-face	784 mm ²	4-bolt pattern	aluminium	1.20 lbs	3/8" x 24	2 fittings 3/8" x 24
60-5370	clutches 4.5" - 5.5"	38,0 mm	17,8 mm	66,5 - 65,3 mm	radius-face	784 mm ²	4-bolt pattern	aluminium	1.20 lbs	3/8" x 24	2 fittings 3/8" x 24
60-5380	clutches 4.5" - 5.5"	38,0 mm	17,8 mm	69,0 - 67,8 mm	radius-face	784 mm ²	4-bolt pattern	aluminium	1.20 lbs	3/8" x 24	2 fittings 3/8" x 24
60-5390	clutches 4.5" - 5.5"	38,0 mm	17,8 mm	71,6 - 70,4 mm	radius-face	784 mm ²	4-bolt pattern	aluminium	1.20 lbs	3/8" x 24	2 fittings 3/8" x 24



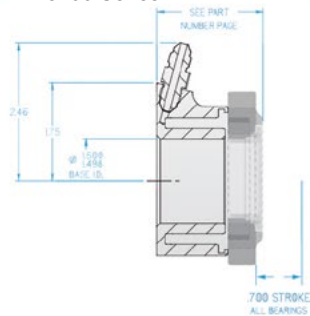
TILTON SLAVE CYLINDERS



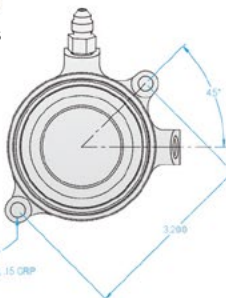
8000 Series



8100 Series



82XX Series

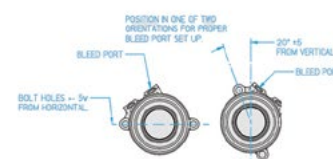
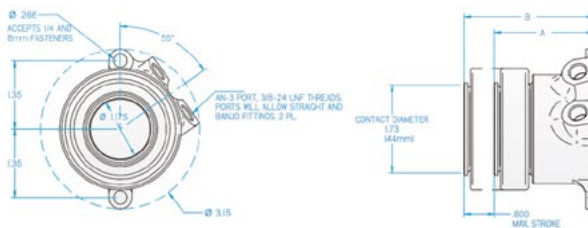


83XX Series



8000 Series ultra-low profile

Code	Application	Fulcrum Ø	Max stroke	Overall height	Bearing type	Piston area	Mount	Materiale	Weight	Fitting	Included in kit
60-8000	clutches 5.5" - 8.5"	52,0 mm	17,8 mm	52,0 mm	radius-face	784 mm2	2-bolt pattern	billet aluminium	0.85 lbs	3/8" x 24	2 fittings 3/8" x 24
61-8002	very low profile clutches	44,0 mm	16,5 mm	40,6 mm	radius-face	788 mm2	2-bolt pattern	billet aluminium	0.70 lbs	3/8" x 24	supply and bleed port fittings
61-8003	very low profile clutches	38,0 mm	16,5 mm	40,6 mm	radius-face	788 mm2	2-bolt pattern	billet aluminium	0.70 lbs	3/8" x 24	supply and bleed port fittings
61-8122	very low profile clutches	44,0 mm	12,7 mm	36,6 mm	radius-face	788 mm2	2-bolt pattern	billet aluminium	0.70 lbs	3/8" x 24	supply and bleed port fittings
61-8123	very low profile clutches	38,0 mm	12,7 mm	36,6 mm	radius-face	788 mm2	2-bolt pattern	billet aluminium	0.70 lbs	3/8" x 24	supply and bleed port fittings
60-8100	clutches 8.5" - 11.0"	43,4 - 77,0 mm	17,8 mm	52,0 mm	flat-face	784 mm2	2-bolt pattern	billet aluminium	0.95 lbs	3/8" x 24	2 fittings 3/8" x 24
60-8200	clutches 5.5" - 7.25"	44,0 mm	17,8 mm	47,5 - 46,2 mm	radius-face	784 mm2	2-bolt pattern	billet aluminium	0.70 lbs	3/8" x 24	2 fittings 3/8" x 24
60-8210	clutches 5.5" - 7.25"	44,0 mm	17,8 mm	50,0 - 48,8 mm	radius-face	784 mm2	2-bolt pattern	billet aluminium	0.70 lbs	3/8" x 24	2 fittings 3/8" x 24
60-8220	clutches 5.5" - 7.25"	44,0 mm	17,8 mm	52,3 - 51,3 mm	radius-face	784 mm2	2-bolt pattern	billet aluminium	0.70 lbs	3/8" x 24	2 fittings 3/8" x 24
60-8230	clutches 5.5" - 7.25"	44,0 mm	17,8 mm	55,1 - 53,8 mm	radius-face	784 mm2	2-bolt pattern	billet aluminium	0.70 lbs	3/8" x 24	2 fittings 3/8" x 24
60-8240	clutches 5.5" - 7.25"	44,0 mm	17,8 mm	57,7 - 56,4 mm	radius-face	784 mm2	2-bolt pattern	billet aluminium	0.70 lbs	3/8" x 24	2 fittings 3/8" x 24
60-8250	clutches 5.5" - 7.25"	44,0 mm	17,8 mm	60,2 - 58,9 mm	radius-face	784 mm2	2-bolt pattern	billet aluminium	0.70 lbs	3/8" x 24	2 fittings 3/8" x 24
60-8260	clutches 5.5" - 7.25"	44,0 mm	17,8 mm	62,7 - 61,5 mm	radius-face	784 mm2	2-bolt pattern	billet aluminium	0.70 lbs	3/8" x 24	2 fittings 3/8" x 24
60-8270	clutches 5.5" - 7.25"	44,0 mm	17,8 mm	65,3 - 64,0 mm	radius-face	784 mm2	2-bolt pattern	billet aluminium	0.70 lbs	3/8" x 24	2 fittings 3/8" x 24
60-8280	clutches 5.5" - 7.25"	44,0 mm	17,8 mm	67,8 - 66,5 mm	radius-face	784 mm2	2-bolt pattern	billet aluminium	0.70 lbs	3/8" x 24	2 fittings 3/8" x 24
60-8290	clutches 5.5" - 7.25"	44,0 mm	17,8 mm	70,4 - 69,0 mm	radius-face	784 mm2	2-bolt pattern	billet aluminium	0.70 lbs	3/8" x 24	2 fittings 3/8" x 24
60-8300	clutches 4.5" - 5.5"	38,0 mm	17,8 mm	47,5 - 46,2 mm	radius-face	784 mm2	2-bolt pattern	billet aluminium	0.75 lbs	3/8" x 24	2 fittings 3/8" x 24
60-8310	clutches 4.5" - 5.5"	38,0 mm	17,8 mm	50,0 - 48,8 mm	radius-face	784 mm2	2-bolt pattern	billet aluminium	0.75 lbs	3/8" x 24	2 fittings 3/8" x 24
60-8320	clutches 4.5" - 5.5"	38,0 mm	17,8 mm	52,3 - 51,3 mm	radius-face	784 mm2	2-bolt pattern	billet aluminium	0.75 lbs	3/8" x 24	2 fittings 3/8" x 24
60-8330	clutches 4.5" - 5.5"	38,0 mm	17,8 mm	55,1 - 53,8 mm	radius-face	784 mm2	2-bolt pattern	billet aluminium	0.75 lbs	3/8" x 24	2 fittings 3/8" x 24
60-8340	clutches 4.5" - 5.5"	38,0 mm	17,8 mm	57,7 - 56,4 mm	radius-face	784 mm2	2-bolt pattern	billet aluminium	0.75 lbs	3/8" x 24	2 fittings 3/8" x 24
60-8350	clutches 4.5" - 5.5"	38,0 mm	17,8 mm	60,2 - 58,9 mm	radius-face	784 mm2	2-bolt pattern	billet aluminium	0.75 lbs	3/8" x 24	2 fittings 3/8" x 24
60-8360	clutches 4.5" - 5.5"	38,0 mm	17,8 mm	62,7 - 61,5 mm	radius-face	784 mm2	2-bolt pattern	billet aluminium	0.75 lbs	3/8" x 24	2 fittings 3/8" x 24
60-8370	clutches 4.5" - 5.5"	38,0 mm	17,8 mm	65,3 - 64,0 mm	radius-face	784 mm2	2-bolt pattern	billet aluminium	0.75 lbs	3/8" x 24	2 fittings 3/8" x 24
60-8380	clutches 4.5" - 5.5"	38,0 mm	17,8 mm	67,8 - 66,5 mm	radius-face	784 mm2	2-bolt pattern	billet aluminium	0.75 lbs	3/8" x 24	2 fittings 3/8" x 24
60-8390	clutches 4.5" - 5.5"	38,0 mm	17,8 mm	70,4 - 69,0 mm	radius-face	784 mm2	2-bolt pattern	billet aluminium	0.75 lbs	3/8" x 24	2 fittings 3/8" x 24



Code	Application	Fulcrum Ø	Max stroke	Overall height	Bearing type	Piston area	Mount	Materiale	Weight	Inside Ø	Fitting	Included in kit
61-9002	clutches 7.25"	44,0 mm	15,2 mm	49,5 mm	radius-face	600 mm2	2-bolt pattern	billet aluminium	0.56 lbs	30,0 mm	3/8" x 24	supply and bleed port fittings
61-9012	clutches 7.25"	44,0 mm	15,2 mm	51,3 mm	radius-face	600 mm2	2-bolt pattern	billet aluminium	0.56 lbs	30,0 mm	3/8" x 24	supply and bleed port fittings



Clutch Studs series

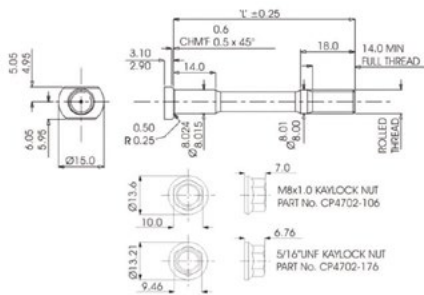
For the assembly of their clutches AP Racing recommends the use of original clutch studs, delivered in kit with proper set of nuts.

The AP Racing clutch studs are made of high-strength steel, machined with high precision, with rolled thread to ensure a high resistance.



CP4702

M8 & 5/16 UNF Stud series



Code	Thread	Lenght	Pcs No.
CP4702-400MK(06)	M8 x 1,0	40,0 mm	06
CP4702-400MK(08)	M8 x 1,1	40,0 mm	08
CP4702-400MK(12)	M8 x 1,2	40,0 mm	12
CP4702-400UK(06)	5/16" UNF	40,0 mm	06
CP4702-400UK(08)	5/16" UNF	40,0 mm	08
CP4702-400UK(12)	5/16" UNF	40,0 mm	12
CP4702-425MK(06)	M8 x 1,2	42,5 mm	06
CP4702-425MK(08)	M8 x 1,2	42,5 mm	08
CP4702-425MK(12)	M8 x 1,2	42,5 mm	12
CP4702-425UK(06)	5/16" UNF	42,5 mm	06
CP4702-425UK(08)	5/16" UNF	42,5 mm	08
CP4702-425UK(12)	5/16" UNF	42,5 mm	12
CP4702-450MK(06)	M8 x 1,2	45,0 mm	06
CP4702-450MK(08)	M8 x 1,2	45,0 mm	08
CP4702-450MK(12)	M8 x 1,2	45,0 mm	12
CP4702-450UK(06)	5/16" UNF	45,0 mm	06
CP4702-450UK(08)	5/16" UNF	45,0 mm	08
CP4702-450UK(12)	5/16" UNF	45,0 mm	12
CP4702-475MK(06)	M8 x 1,2	47,5 mm	06
CP4702-475MK(08)	M8 x 1,2	47,5 mm	08
CP4702-475MK(12)	M8 x 1,2	47,5 mm	12
CP4702-475UK(06)	5/16" UNF	47,5 mm	06
CP4702-475UK(08)	5/16" UNF	47,5 mm	08
CP4702-475UK(12)	5/16" UNF	47,5 mm	12
CP4702-500MK(06)	M8 x 1,2	50,0 mm	06
CP4702-500MK(08)	M8 x 1,2	50,0 mm	08
CP4702-500MK(12)	M8 x 1,2	50,0 mm	12
CP4702-500UK(06)	5/16" UNF	50,0 mm	06
CP4702-500UK(08)	5/16" UNF	50,0 mm	08
CP4702-500UK(12)	5/16" UNF	50,0 mm	12
CP4702-525MK(06)	M8 x 1,2	52,5 mm	06
CP4702-525MK(08)	M8 x 1,2	52,5 mm	08

CP4702 - follows

Code	Thread	Lenght	Pcs No.
CP4702-525MK(12)	M8 x 1,2	52,5 mm	12
CP4702-525UK(06)	5/16" UNF	52,5 mm	06
CP4702-525UK(08)	5/16" UNF	52,5 mm	08
CP4702-525UK(12)	5/16" UNF	52,5 mm	12
CP4702-550MK(06)	M8 x 1,2	55,0 mm	06
CP4702-550MK(08)	M8 x 1,2	55,0 mm	08
CP4702-550MK(12)	M8 x 1,2	55,0 mm	12
CP4702-550UK(06)	5/16" UNF	55,0 mm	06
CP4702-550UK(12)	5/16" UNF	55,0 mm	12
CP4702-575MK(06)	M8 x 1,2	57,5 mm	06
CP4702-575MK(08)	M8 x 1,2	57,5 mm	08
CP4702-575MK(12)	M8 x 1,2	57,5 mm	12
CP4702-575UK(06)	5/16" UNF	57,5 mm	06
CP4702-575UK(08)	5/16" UNF	57,5 mm	08
CP4702-575UK(12)	5/16" UNF	57,5 mm	12
CP4702-600MK(06)	M8 x 1,2	60,0 mm	06
CP4702-600MK(08)	M8 x 1,2	60,0 mm	08
CP4702-600MK(10)	M8 x 1,2	60,0 mm	10
CP4702-600MK(12)	M8 x 1,2	60,0 mm	12
CP4702-600UK(06)	5/16" UNF	60,0 mm	06
CP4702-600UK(08)	5/16" UNF	60,0 mm	08
CP4702-600UK(12)	5/16" UNF	60,0 mm	12
CP4702-625MK(06)	M8 x 1,2	62,5 mm	06
CP4702-625MK(08)	M8 x 1,2	62,5 mm	08
CP4702-625MK(12)	M8 x 1,2	62,5 mm	12
CP4702-625UK(06)	5/16" UNF	62,5 mm	06
CP4702-625UK(08)	5/16" UNF	62,5 mm	08
CP4702-625UK(12)	5/16" UNF	62,5 mm	12
CP4702-650MK(06)	M8 x 1,2	65,0 mm	06
CP4702-650MK(08)	M8 x 1,2	65,0 mm	08
CP4702-650MK(12)	M8 x 1,2	65,0 mm	12
CP4702-650UK(06)	5/16" UNF	65,0 mm	06
CP4702-650UK(08)	5/16" UNF	65,0 mm	08
CP4702-650UK(12)	5/16" UNF	65,0 mm	12
CP4702-675MK(06)	M8 x 1,2	67,5 mm	06
CP4702-675MK(08)	M8 x 1,2	67,5 mm	08
CP4702-675MK(12)	M8 x 1,2	67,5 mm	12
CP4702-675UK(06)	5/16" UNF	67,5 mm	06
CP4702-675UK(08)	5/16" UNF	67,5 mm	08
CP4702-675UK(12)	5/16" UNF	67,5 mm	12
CP4702-700MK(06)	M8 x 1,2	70,0 mm	06
CP4702-700MK(08)	M8 x 1,2	70,0 mm	08
CP4702-700MK(12)	M8 x 1,2	70,0 mm	12
CP4702-700UK(06)	5/16" UNF	70,0 mm	06
CP4702-700UK(08)	5/16" UNF	70,0 mm	08

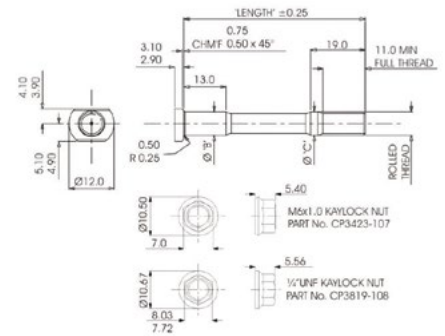
CP4702 - follows

Code	Thread	Lenght	Pcs No.
CP4702-700UK(12)	5/16" UNF	70,0 mm	12
CP4702-725MK(06)	M8 x 1,2	72,5 mm	06
CP4702-725MK(12)	M8 x 1,2	72,5 mm	12
CP4702-725UK(06)	5/16" UNF	72,5 mm	06
CP4702-725UK(08)	5/16" UNF	72,5 mm	08
CP4702-725UK(12)	5/16" UNF	72,5 mm	12
CP4702-750MK(06)	M8 x 1,2	75,0 mm	06
CP4702-750MK(08)	M8 x 1,2	75,0 mm	08
CP4702-750MK(12)	M8 x 1,2	75,0 mm	12
CP4702-750UK(06)	5/16" UNF	75,0 mm	06
CP4702-750UK(08)	5/16" UNF	75,0 mm	08
CP4702-750UK(12)	5/16" UNF	75,0 mm	12



CP4703

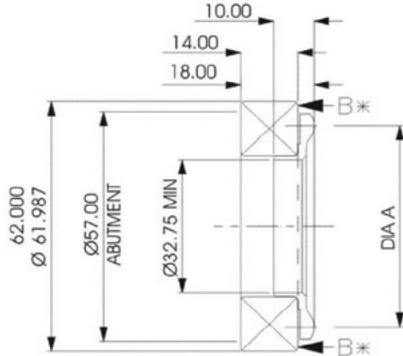
M6 & 1/4 UNF Stud series



Code	Thread	Lenght	Pcs No.
CP4703-400MK(10)	M6 x 1,0	40,0 mm	10
CP4703-425MK(10)	M6 x 1,0	42,5 mm	10
CP4703-450MK(10)	M6 x 1,0	45,0 mm	10
CP4703-475MK(10)	M6 x 1,0	47,5 mm	10
CP4703-500MK(10)	M6 x 1,0	50,0 mm	10
CP4703-525MK(10)	M6 x 1,0	52,5 mm	10
CP4703-550MK(10)	M6 x 1,0	55,0 mm	10
CP4703-575MK(10)	M6 x 1,0	57,5 mm	10
CP4703-600MK(10)	M6 x 1,0	60,0 mm	10
CP4703-625MK(10)	M6 x 1,0	62,5 mm	10
CP4703-650MK(10)	M6 x 1,0	65,0 mm	10
CP4703-675MK(10)	M6 x 1,0	67,5 mm	10
CP4703-700MK(10)	M6 x 1,0	70,0 mm	10
CP4703-750MK(10)	M6 x 1,0	75,0 mm	10

32,75 mm AV

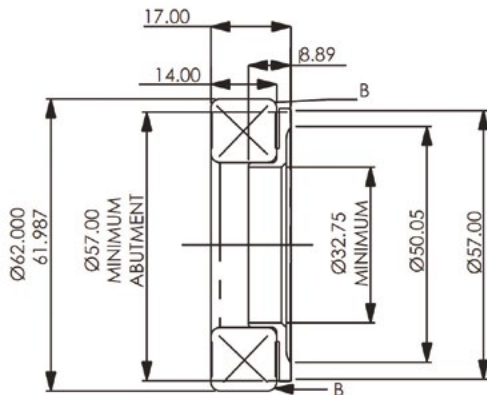
High speed release bearing, 32,75 mm diameter, inner race rotates
 CP3457-11 is suitable for use with most Ø115, Ø127 & Ø140mm racing clutches.
 CP3457-6 is suitable for use with most Ø184, Ø200 & Ø215mm racing clutches.
 CP3457-16 is suitable for some Ø115mm racing clutches, and clutches from other manufacturers.
 CP3457-26 is suitable for use with most Ø115, Ø127 & Ø140mm racing clutches.



Code	Inner Ø	Race rotation	Release fulcrum Ø
CP3457-11	32,75 mm	Inner	50,0 mm
CP3457-16	32,75 mm	Inner	38,0 mm
CP3457-26	32,75 mm	Inner	45,0 mm
CP3457-6	32,75 mm	inner	54,0 mm

32,75 mm flat AV

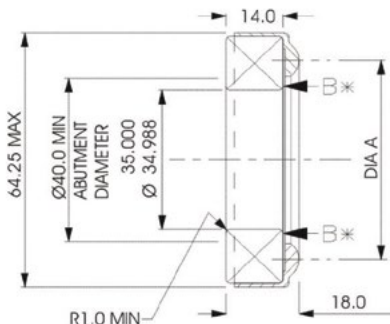
Flat faced, high speed release bearing 32,75 mm diameter. Inner race rotates.
 - CP3457-22: operates on round nose diaphragm spring fingers with a fulcrum diameter Ø50mm to Ø56mm.



Code	Inner Ø	Race rotation	Release fulcrum Ø
CP3457-22	32,75 mm	Inner	50,0 -> 56,0 mm

35 mm std

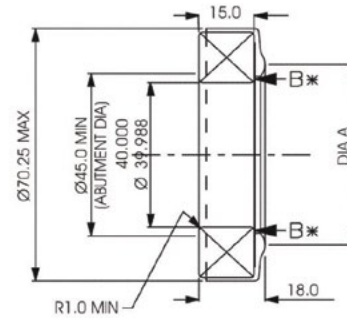
Standard release bearing, 35 mm diameter, outer race rotates



Code	Inner Ø	Race rotation	Release fulcrum Ø
CP3457-1	35,0 mm	Outer	50,0 mm
CP3457-2	35,0 mm	Outer	54,0 mm

40 mm std

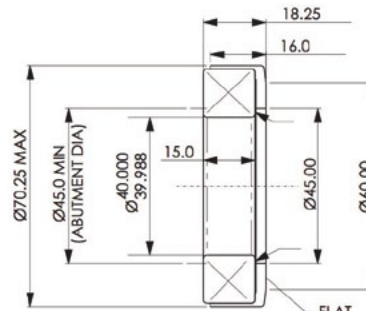
Standard release bearing, 40 mm diameter, outer race rotates



Code	Inner Ø	Race rotation	Release fulcrum Ø
CP3457-10	40,0 mm	Outer	54,0 mm
CP3457-19	40,0 mm	Outer	45,0 mm
CP3457-9	40,0 mm	Outer	50,0 mm

40 mm flat-face

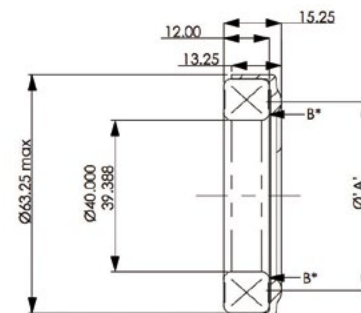
Flat faced release bearing, 40 mm - outer race rotates



Code	Inner Ø	Race rotation	Release fulcrum Ø
CP3457-23	40,0 mm	Outer	49,0 -> 56,0 mm

40 mm reduced thickness

Reduced thickness release bearing, 40 mm - outer race rotates - A Ø 50 mm



Code	Inner Ø	Race rotation	Release fulcrum Ø
CP3457-24	40,0 mm	Outer	50,0 mm

Release Bearings

AP Racing release bearings, made of high-quality steel, are suitable for high loads and continuous high speed high temperature operation. The combination of the release bearings and the various clutch models can be found on the tabs of each clutch. We also advise you to check for updates on the manufacturer's website.