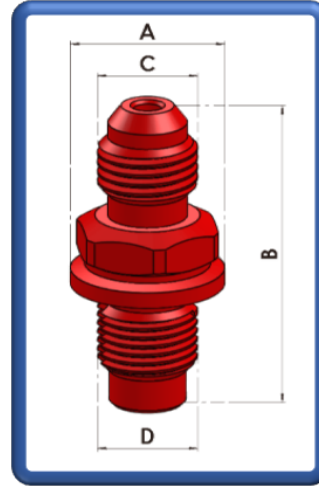




Tank Mount Valves

Vent Valve Rollover, Tank Mount, JIC-06 – 9/16” UNF Threads.
Part Number: CF-AA-011 (TRV66)



Specifications:

Fixing Arrangement:

Applications:

Compatibilities:

Finish:

Weight:

Flow Capacity:

Valve Placement:

Materials:

Bodies:

O-Ring & Gasket:

Internal Floatation Ball:

Secondary Internal Ball:

Retention:

Dimensions:

Outside Diameter A:

Height B:

Bolts Circle Diameter C:

Depth D:

Across Flats:

Optional('s):

JIC -06 Thread (Top)

9/16” UNF Thread (Bottom)

Motorsport, Automotive, Marine & General

Operation Temperature -40°C to +80°C

Anodised Red

16.5 grams

0.66 litre/second

Vertical $\pm 10^\circ$

Aluminium Alloy 6082/T6

Viton A (FPM or FKM)

HDPE plastic (Green)

Stainless Steel 316

Brass

22.0mm

45.0mm

9/16” x 18UNF (JIC -06) Thread

9/16” x 18UNF Thread

19.0mm

For extreme Fuel usage, please contact a Newton Representative.

Fluid Containment – When It Matters

Tell: +4420 8594 7990 / Fax: +4420 8594 7989 / www.newton-equipment.com / info@newton-equipment.com

Registered in England. 6 Orwell Close/ Fairview Ind. Park/ Rainham/ Essex/ RM13 8UB