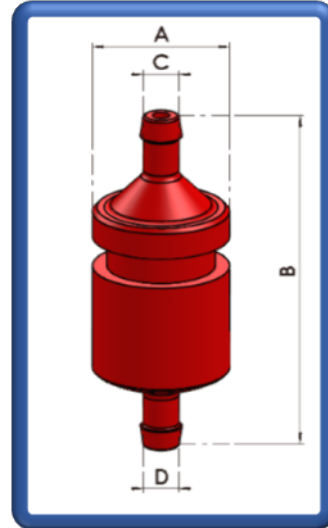




In-Line Valves

Vent Valve Pressure Relief, In-Line, Ø8.0 – Ø8.0 Standpipes.
Part Number: CF-AA-015 (TPV8)



Specifications:

Fixing Arrangement:

Applications:

Compatibilities:

Finish:

Weight:

Pressure Limits:

Valve Placement:

Ø8.0mm Standpipes

Standard Fuels, Oil & Water Tanks

Operation Temperature -40°C to +80°C

Anodised Red

30.0 grams

Positive Pressure 0.0055 Bar (0.08 psi)

Negative Pressure 0.05 Bar (0.725 psi)

Any direction (Arrow pointing away from the tank)

Materials:

Bodies:

O-Ring:

Internal Floatation Ball:

Washer:

Retention:

Aluminium Alloy 6082/T6

Viton A (FPM or FKM)

Nylon

Stainless Steel 316

Stainless Steel A2 Type

Dimensions:

Outside Diameter A:

Height B:

Bolts Circle Diameter C:

Depth D:

31.0mm

89.0mm

8.0mm Spigot

8.0mm Spigot

Optional('s):

Fluid Containment – When It Matters

Tell: +4420 8594 7990 / Fax: +4420 8594 7989 / www.newton-equipment.com / info@newton-equipment.com

Registered in England. 6 Orwell Close/ Fairview Ind. Park/ Rainham/ Essex/ RM13 8UB