

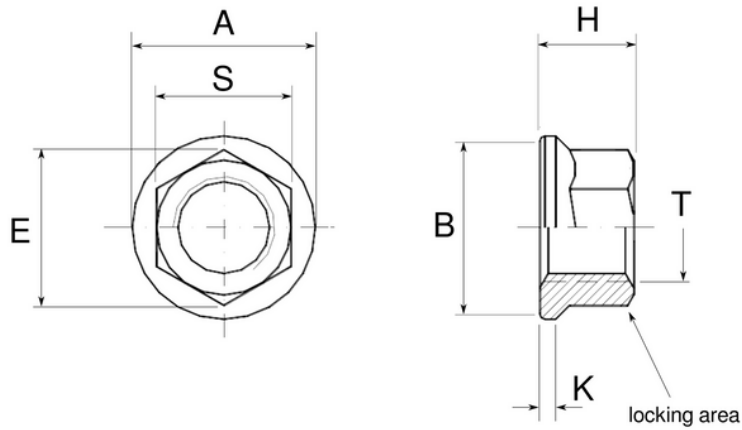
HEXAGONAL K-NUTS

SELF LOCKING • 3 CRIMP • 1100 MPa • 235°C

FREE OF CADMIUM AND CHROME VI

BlueFast.

by KL-PROJECTS



Partnumber	Thread T		A max	B min	E min	S	H max	K min	Weight**
BFK HEXA M03050	M3 x 0,5	4H6H	6	4.9	4.4	4 h13	3.0	0.5	0.28 g
BFK HEXA M04070	M4 x 0,7	4H6H	8	6.5	5.5	5 h13	4.0	0.6	0.50 g
BFK HEXA M05080	M5 x 0,8	4H6H	9.2	8.0	6.7	6 h13	5.0	0.6	0.80 g
BFK HEXA M06100	M6 x 1,0	4H5H	10.5	9.4	7.8	7 h13	5.4	0.9	1.15 g
BFK HEXA M07100	M7 x 1,0	4H5H	12.6	11.3	8.9	8 h13	6.2	1.0	1.17 g
BFK HEXA M08100	M8 x 1,0	4H5H	13.6	12.3	11.1	10 h13	7.2	1.1	3.1 g
BFK HEXA M08125	M8 x 1,25	4H5H	13.6	12.3	11.1	10 h13	7.2	1.1	3.1 g
BFK HEXA M09100 *	M9 x 1,0	4H5H	16.6	15.2	13.3	12 h13	8.5	1.3	5 g
BFK HEXA M09125 *	M9 x 1,25	4H5H	16.6	15.2	13.3	12 h13	8.5	1.3	5 g
BFK HEXA M10100	M10 x 1,0	4H5H	16.6	15.2	13.3	12 h13	8.5	1.3	4.5 g
BFK HEXA M10125	M10 x 1,25	4H5H	16.6	15.2	13.3	12 h13	9.0	1.3	4.5 g
BFK HEXA M10150	M10 x 1,5	4H5H	16.6	15.2	13.3	12 h13	9.0	1.3	4.5 g
BFK HEXA M11100 *	M11 x 1,0	4H5H	19.8	18.2	15.5	14 h13	10.8	2.0	10.5 g
BFK HEXA M12100 *	M12 x 1,0	4H5H	19.8	18.2	15.5	14 h13	10.8	2.0	10.2 g
BFK HEXA M12125	M12 x 1,25	4H5H	19.8	18.2	15.5	14 h13	10.8	2.0	10.2 g
BFK HEXA M12150	M12 x 1,5	4H5H	19.8	18.2	15.5	14 h13	10.8	2.0	10.2 g
BFK HEXA M12175	M12 x 1,75	4H5H	19.8	18.2	15.5	14 h13	10.8	2.0	10.2 g
BFK HEXA M14100 *	M14 x 1,0	4H5H	23	21.8	17.8	16 h13	12.0	2.0	11.8 g
BFK HEXA M14125 *	M14 x 1,25	4H5H	23	21.8	17.8	16 h13	12.0	2.0	11.8 g
BFK HEXA M14150	M14 x 1,5	4H5H	23	21.8	17.8	16 h13	12.0	2.0	11.8 g
BFK HEXA M14200 *	M14 x 2,0	4H5H	23	21.8	17.8	16 h13	12.0	2.0	11.8 g
BFK HEXA M16150 *	M16 x 1,5	4H5H	26	25.3	21.1	19 h13	13.5	2.2	-
BFK HEXA M18150 *	M18 x 1,5	4H5H	29	28.3	24.5	22 h13	15.0	2.2	-

* special sizes on request

** approximate weight, indication only

MATERIAL

ALLOY STEEL SAE 8740

HARDNESS

MAX. 45 HRC

FINISH & IDENTIFICATION

ZINC-NICKEL PLATING WITH TRIVALENT

CHROMIUM TREATMENT + MOS2 DFL

+ BLUE DOT IDENTIFICATION

THREAD

RECOMMENDED TOLERANCE

FOR MALE THREAD IS 4h6h

(SUITABLE FOR M AND MJ THREAD PROFILE)

LOCKING & PERFORMANCE

LOCKING BY 3 CRIMP DEFORMATION

LOCKING TORQUE AND PERFORMANCE

ACCORDING TO LN65016